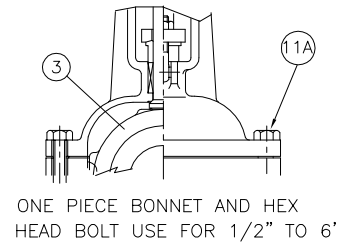
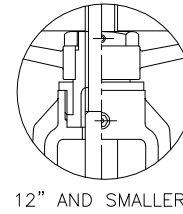
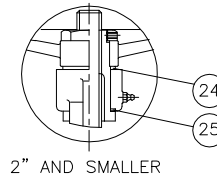
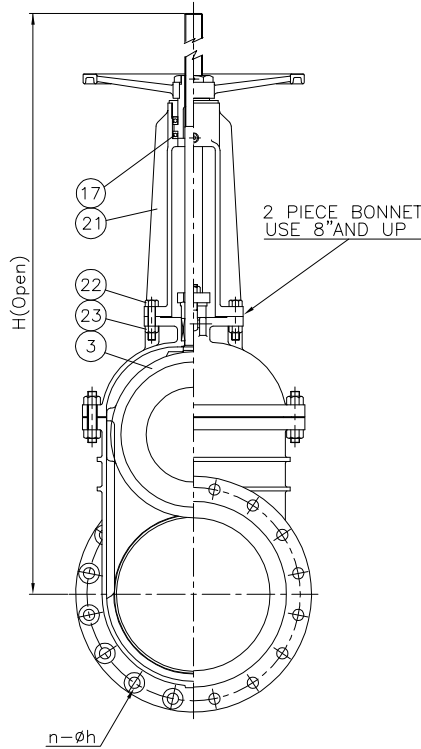
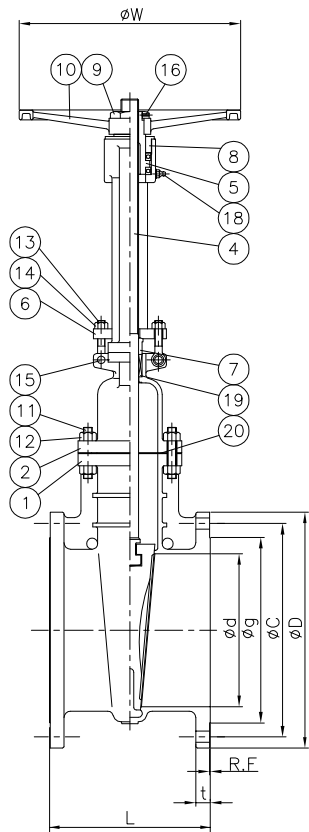


# Wm. E. Williams No. S15F6-316 Class 150 RF OS&Y Gate Valve ASTM A351 CF8M (API TRIM 10)



## BILL OF MATERIAL

NO.	PART NAME	MATERIAL	Q'TY
1	BODY	A351-CF8M	1
2	BONNET	A351-CF8M	1
3	WEDGE	A351-CF8M	1
4	STEM	A276-316	1
5	YOKE SLEEVE	A439-D2C	1
6	GLAND FLANGE	A351-CF8	1
7	PACKING GLAND	A276-316	1
8	YOKE CAP	A351-CF8	1
9	HANDWHEEL NUT	A276-304	1
10	HANDWHEEL	A536	1
11	BONNET BOLT	A193-B8	1SET
11A	HEX HEAD BOLT	A139-B8	1SET
12	NUT	A194-8	1SET
13	HINGED EYE BOLT	A276-304	2
14	NUT	A194-8	2
15	HINGE PIN	A276-304	2
16	SET SCREW	A276-304	1
17	THRUST BALL BEARING	STEEL	2SET
18	GREASE NIPPLE	STEEL	1
19	PACKING	SEE NOTE 1	1SET
20	GASKET	SEE NOTE 1	1
21	YOKE	A351-CF8	1
22	YOKE BOLT	A193-B8	4
23	NUT	A194-8	4
24	THRUST WASHER	A204-304	1
25	WASHER	A204-304	1

NOTE:

1. GRAPHITE OR PTFE: (SPECIFY WHEN ORDERED)

SIZE	L	d	D	C	g	t	R.F	n-øh	W	H
1/2	4.25	0.50	3.50	2.37	1.37	0.44	0.060	4-0.63	4.00	7.50
3/4	4.63	0.75	3.87	2.75	1.68	0.44	0.060	4-0.63	4.00	8.12
1	5.00	1.00	4.25	3.12	2.00	0.44	0.060	4-0.63	5.00	9.12
1-1/2	6.50	1.50	5.00	3.87	2.87	0.57	0.060	4-0.63	6.50	11.87
2	7.00	2.00	6.00	4.75	3.62	0.63	0.060	4-0.75	7.00	14.50
2-1/2	7.50	2.50	7.00	5.50	4.13	0.687	0.060	4-0.75	7.00	14.50
3	8.00	3.00	7.50	6.00	5.00	0.750	0.060	4-0.75	8.00	18.00
4	9.00	4.00	9.00	7.50	6.18	0.937	0.060	8-0.75	9.00	22.00
6	10.50	6.00	11.00	9.50	8.50	1.000	0.060	8-0.875	10.00	29.50
8	11.50	8.00	13.50	11.75	10.62	1.125	0.060	8-0.875	13.00	37.31
10	13.00	10.00	16.00	14.25	12.75	1.125	0.060	12-1.00	14.00	46.50
12	14.00	12.00	19.00	17.00	15.00	1.187	0.060	12-1.00	15.87	52.50
14	15.00	13.25	21.00	18.75	16.25	1.375	0.060	12-1.125	24.00	57.31
16	16.00	15.25	23.50	21.25	18.50	1.437	0.060	16-1.125	28.00	64.50
18	17.00	17.25	25.00	22.75	21.00	1.567	0.060	16-1.125	28.00	73.00
20	18.00	19.25	27.50	25.00	23.00	1.687	0.060	20-1.250	32.00	80.50
24	20.00	23.25	32.00	29.50	27.25	1.875	0.060	20-1.375	32.00	96.31

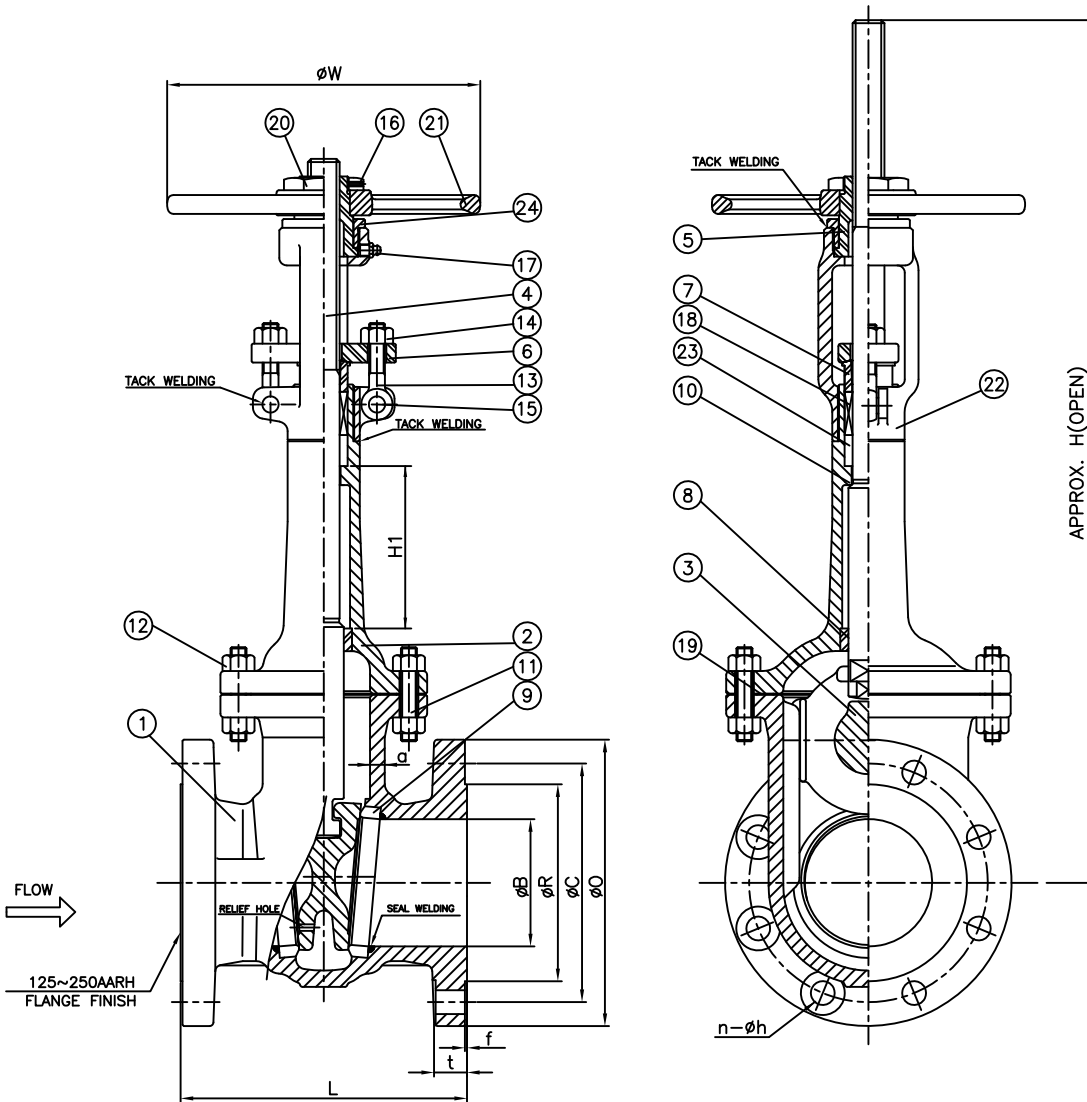
Remark: Larger sizes available upon request.

NO.	DATE	DESCRIPTION	PRP'D	REV'D	APP'D	DESIGNED	API 603, ANSI B16.34	MATERIAL: A351-CF8M	UNITS: Inch, mm
								CLASS: 150	SCALE: N.T.S.
								DATE: 01/01/12	FIG. No.: S15F6-316
								SIZE: 1/2" - 24"	
								DRAWN BY: F.J.	
								CHK'D & APR'D BY: R.P.	REV: 1 DWG No.: 11GA120001

WILLIAM E. VALVE CORPORATION  
 38-52 REVIEW AVENUE LONG ISLAND CITY, NY 11101  
 TEL: 718-392-1660 FAX: 718-729-5106

TITLE: STAINLESS STEEL GATE VALVE CLASS 150 - API TRIM 10 - R,F B,B OS&Y

# Wm. E. Williams No. S15F6 316 EB Class 150 RF OS&Y Gate Valve ASTM A351 CF8M (API TRIM 10)



BILL OF MATERIAL			
NO.	PART NAME	MATERIAL	Q'TY
1	BODY	A351-CF8M	1
2	BONNET	A351-CF8M	1
3	WEDGE	A351-CF8M	1
4	STEM	A479-316	1
5	YOKE SLEEVE	A439-D2C	1
6	GLAND FLANGE	A351-CF8	1
7	PACKING GLAND	A479-316	1
8	GUIDE RING	A479-316	1
9	SEAT RING	A182-F316	2
10	BACKSEAT RING	A479-316	1
11	BONNET BOLT	A193-B8	1SET
12	NUT	A194-8	1SET
13	EYE BOLT	A193-B8	2
14	NUT	A194-8	2
15	HINGE PIN	A479-304	2
16	SET SCREW	SS304	1
17	GREASE NIPPLE	SS304	1
18	PACKING	SEE NOTE 1	1SET
19	GASKET	SEE NOTE 1	1
20	HANDWHEEL NUT	A479-304	1
21	HANDWHEEL	A536	1
22	YOKE	A351-CF8M	1
23	BACKUP RING	A479-316	1
24	YOKE CAP	A351-CF8	1

NOTE:

1. GRAPHITE OR PTFE: (SPECIFY WHEN ORDERED)

SIZE (Inch)	B	L	FLANGE						W	H (OPEN)	H1	Min. a
			O	C	R	t	f	n-h				
2"	50.8	177.8	152.4	120.7	91.9	15.8	1.6	4-19.1	200	615	250	8.6

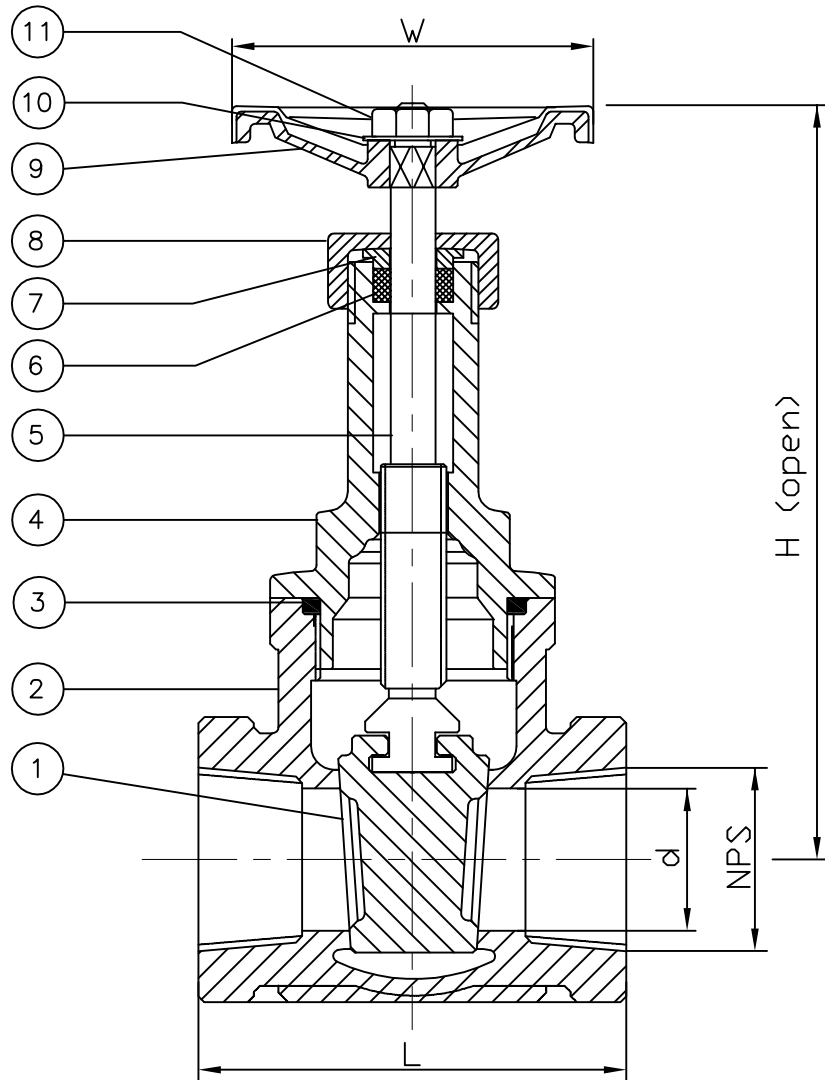
Remark: Other sizes available.

						MARKING SYSTEM	MSS-SP-25	INSPECTION & TEST: API 598			MATERIAL: A351-CF8M	UNITS: Inch, mm	
						DIM.OF FLANGE	ANSI B16.5	SHELL	HYDRO	425PSI	CLASS: 150	DATE: 07/21/15	SCALE: N.T.S.
						FACE TO FACE	ANSI B16.10	SEAT	AIR	80PSI	SIZE: 2"	FIG. No.:	S15F-6 316 EB
								BACK SEAT	HYDRO	325PSI	DRAWN BY: F.J.		
NO.	DATE	DESCRIPTION	PRP'D	REV'D	APP'D	DESIGNED	API 603, ANSI B16.34				CHK'D & APR'D BY: R.P.	REV: 1	DWG No.: 11GA120031-2-66

WILLIAM E. VALVE CORPORATION  
 38-52 REVIEW AVENUE  
 LONG ISLAND CITY, NY 11101  
 TEL: 718-392-1660  
 FAX: 718-729-5106

TITLE: STAINLESS STEEL CRYOGENIC GATE VALVE  
 CLASS 150 - API TRIM 10 - R,F B,B OS&Y

# Wm. E. Williams No. S25T6 316 Class 200 WOG Gate Valve ASTM A351 CF8M (API TRIM 10)



BILL OF MATERIAL		
NO.	PART NAME	MATERIAL
1	WEDGE	A351-CF8M
2	BODY	A351-CF8M
3	GASKET	TEFLON PTFE
4	BONNET	A351-CF8M
5	STEM	A182 F316
6	PACKING	TEFLON PTFE
7	PACKING GLAND	A182 F316
8	PACKING NUT	A182 F316
9	HANDWHEEL	A126
10	I.D. TAG	ALUMINUM
11	HANDWHEEL HEXNUT	A276-304

**FEATURES:**

- THREADED BONNET
- INTEGRAL SEATS
- RISING STEM

SIZE	L	d	W	H
1/2"	2.01	0.59	2.64	5.05
3/4"	2.21	0.79	2.64	5.71
1.00"	2.50	0.98	2.95	6.61
1 1/4"	2.80	1.26	2.95	8.15
1 1/2"	3.02	1.57	3.39	9.29
2.00"	3.41	1.97	3.98	10.91



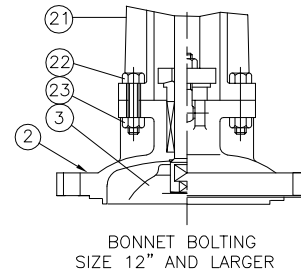
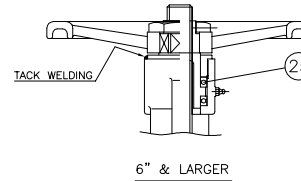
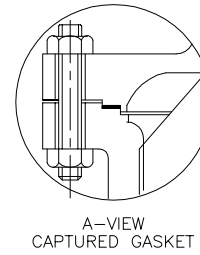
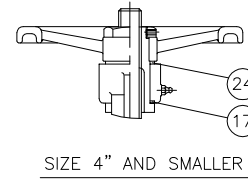
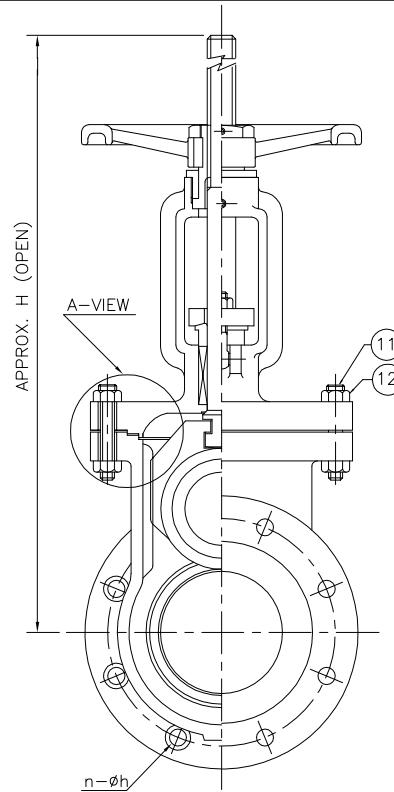
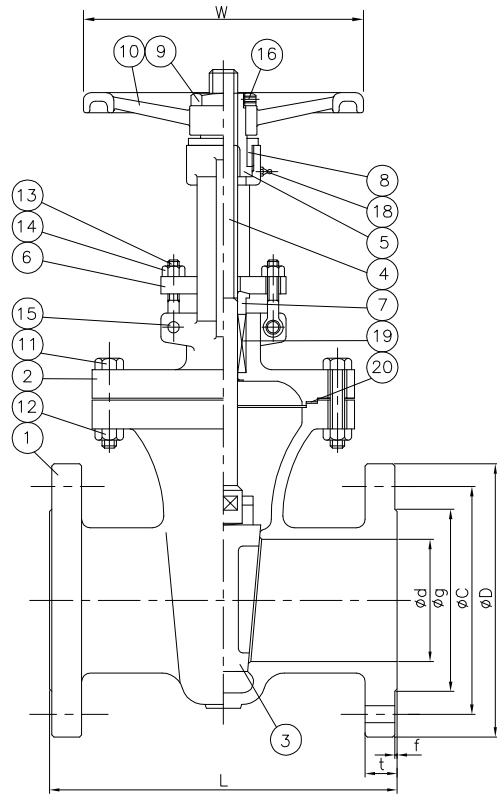
TITLE: STAINLESS STEEL WOG GATE VALVE  
THREADED ENDS - CLASS 200 - API TRIM 10

						MATERIAL: A351-CF8M	UNITS: Inch, mm
						CLASS: 200	DATE: 02/12/13
						SIZE: 1/2" - 2"	SCALE: N.T.S.
						DRAWN BY: F.J.	FIG. No.: S25T6 316
						CHK'D & APR'D BY: R.P.	REV: 1
							DWG No.: 11GA120038

NO.	DATE	DESCRIPTION	PRP'D	REV'D	APP'D
Δ	2/12/13	RELEASED	F.J.	R.P.	R.P.

MARKING SYSTEM	MSS-SP-25	INSPECTION & TEST: API 598		
THREADED ENDS	ANSI B 2.1	SHELL	HYDRO	300PSI
		SEAT	AIR	N/A
		BACK SEAT	HYDRO	220PSI

# Wm. E. Williams No. S30F6-316 Class 300 R.F. Gate Valve ASTM A 351 CF8M (API TRIM 10)



## BILL OF MATERIAL

NO.	PART NAME	MATERIAL	Q'TY
1	BODY	A351-CF8M	1
2	BONNET	A351-CF8M	1
3	WEDGE	A351-CF8M	1
4	STEM	A276-316	1
5	YOKE SLEEVE	A439-D2C	1
6	GLAND FLANGE	A351-CF8	1
7	PACKING GLAND	A276-316	1
8	YOKE CAP	A351-CF8	1
9	HANDWHEEL NUT	A276-304	1
10	HANDWHEEL	A536	1
11	BONNET BOLT	A193-B8	1SET
12	NUT	A194-8	1SET
13	HINGED EYE BOLT	A276-304	2
14	NUT	A194-8	2
15	HINGE PIN	A276-304	2
16	SET SCREW	A276-304	1
17	WASHER	A240-304	1
18	GREASE NIPPLE	STEEL	1
19	PACKING	SEE NOTE 1	1SET
20	GASKET	SEE NOTE 1	1
21	YOKE	A351-CF8M	1
22	BOLT /STUD	A193-B8	1 SET
23	NUT	A194-8	1 SET
24	THRUST WASHER	A240-304	1
25	THRUST BEARING	STEEL (12" OR ABOVE)	2

NOTE:

1. GRAPHITE OR PTFE: (SPECIFY WHEN ORDERED)

SIZE	L	d	D	C	g	t	f	n-h	W	H
1/2	5.50	0.500	3.750	2.650	1.400	0.60	0.062	4-0.625	3.950	8.200
3/4	6.00	0.750	4.650	3.250	1.700	0.62	0.062	4-0.750	3.950	8.350
1	6.50	1.000	4.900	3.500	2.000	0.68	0.062	4-0.750	6.300	11.950
1-1/2	7.50	1.500	6.125	4.500	2.875	0.81	0.062	4-0.875	8.000	12.875
2	8.50	2.000	6.50	5.000	3.625	0.87	0.062	8-0.750	8.000	15.000
2-1/2	9.50	2.500	7.50	5.875	4.125	1.00	0.062	8-0.875	8.000	15.500
3	11.12	3.000	8.25	6.625	5.000	1.12	0.062	8-0.875	10.00	18.125
4	12.00	4.000	10.00	7.875	6.185	1.25	0.062	8-0.875	12.00	23.000
6	15.87	6.000	12.50	10.62	8.500	1.45	0.062	12-0.875	14.00	31.000
8	16.50	8.000	15.00	13.00	10.62	1.62	0.062	12-1.000	16.00	38.125
10	18.00	10.00	17.50	15.25	12.75	1.75	0.062	16-1.125	18.00	46.125
12	19.75	12.00	20.50	17.75	15.00	2.00	0.062	16-1.125	20.00	56.000
14	30.00	13.25	23.00	20.25	16.25	2.12	0.062	20-1.250	28.00	64.125
16	33.00	15.25	25.50	22.50	18.50	2.25	0.062	20-1.375	28.00	73.500
18	36.00	17.00	28.00	24.75	21.00	2.37	0.062	24-1.375	32.00	85.250
20	39.00	19.00	30.50	27.00	23.00	2.50	0.062	24-1.375	32.00	94.500
24	45.00	23.00	36.00	32.00	27.25	2.75	0.062	24-1.625	32.00	110.37

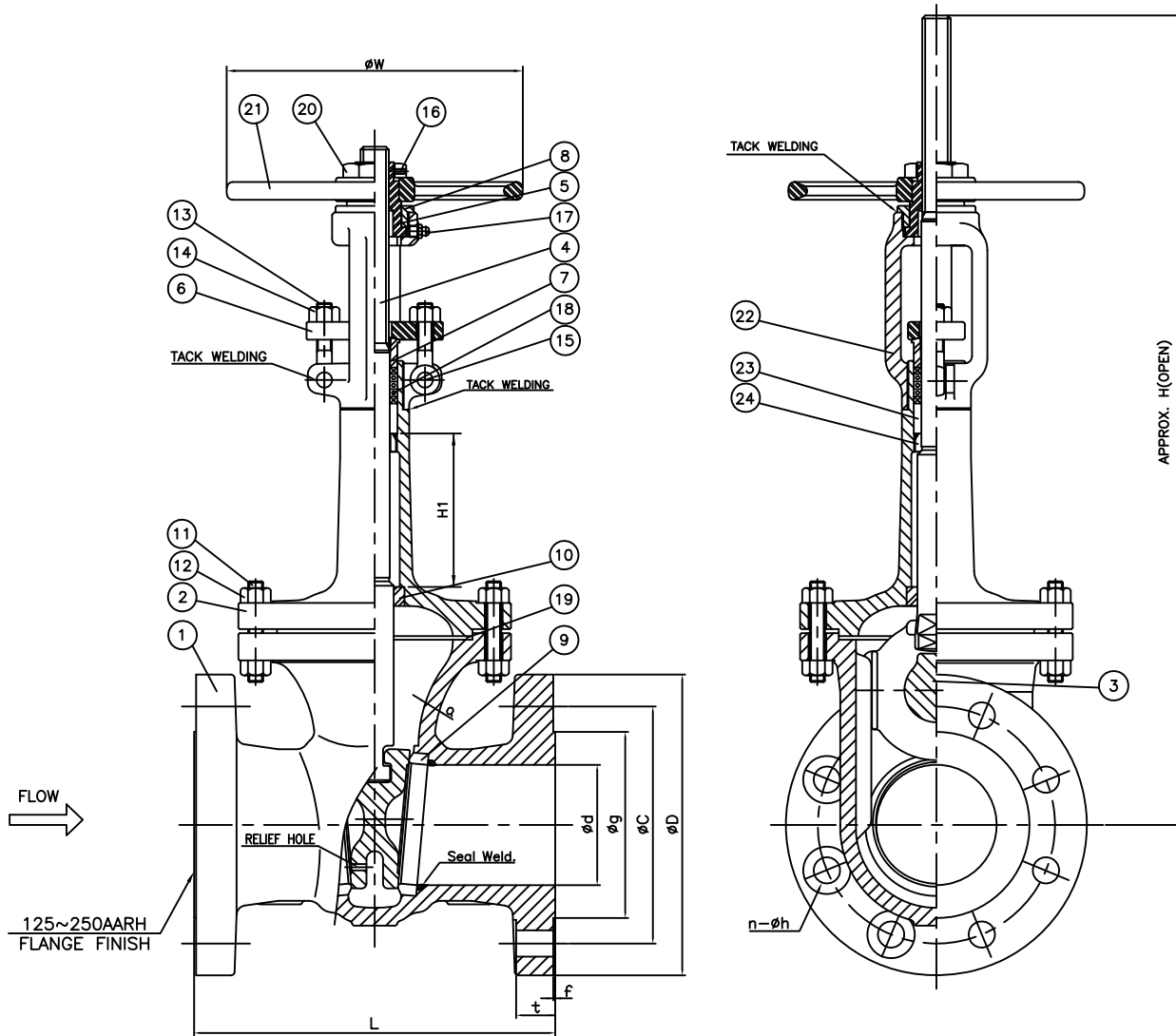
Remark: Larger sizes available upon request.

						MARKING SYSTEM	MSS-SP-25	INSPECTION & TEST: API 598	MATERIAL: A351-CF8M	UNITS: Inch, mm	
						DIM.OF FLANGE	ANSI B16.5	SHELL HYDRO 1100PSI	CLASS: 300	DATE: 01/01/12	SCALE: N.T.S.
						FACE TO FACE	ANSI B16.10	SEAT AIR 80PSI	SIZE: 1/2" - 24"		FIG. No.: S30F6-316
								BACK SEAT HYDRO 800PSI	DRAWN BY: F.J.		
NO.	DATE	DESCRIPTION	PRP'D	REV'D	APP'D	DESIGNED	API 603, ANSI B16.34		CHK'D & APR'D BY: R.P.	REV: 1	DWG No.: 11GA120003

WILLIAM E. WILLIAMS VALVE CORPORATION  
 38-52 REVIEW AVENUE LONG ISLAND CITY, NY 11101  
 TEL: 718-392-1660 FAX: 718-729-5105

TITLE: STAINLESS STEEL GATE VALVE CLASS 300 - API TRIM 10

# Wm. E. Williams No. S30F6 316 EB Class 300 RF Gate Valve ASTM A 351 CF8M (API TRIM 10)



BILL OF MATERIAL			
NO.	PART NAME	MATERIAL	Q'TY
1	BODY	A351-CF8M	1
2	BONNET	A351-CF8M	1
3	WEDGE	A351-CF8M	1
4	STEM	A479-316	1
5	YOKE SLEEVE	A439-D2C	1
6	GLAND FLANGE	A351-CF8	1
7	PACKING GLAND	A479-316	1
8	YOKE CAP	A351-CF8	1
9	SEAT RING	A182-F316	2
10	GUIDE RING	A479-316	1
11	BONNET BOLT	A320-B8	1SET
12	NUT	A194-8	1SET
13	EYE BOLT	A193-B8	2
14	NUT	A194-8	2
15	HINGE PIN	A479-304	2
16	SET SCREW	SS304	1
17	GREASE NIPPLE	SS304	1
18	PACKING	SEE NOTE 1	1SET
19	GASKET	SEE NOTE 1	1
20	HANDWHEEL NUT	A479-304	1
21	HANDWHEEL	A536	1
22	YOKE	A351-CF8M	1
23	BACKUP RING	A479-316	1
24	BACKSEAT RING	A479-316	1

NOTE:

1. GRAPHITE OR PTFE: (SPECIFY WHEN ORDERED)

SIZE	L	d	Min a	FLANGE						W	H1	H
				D	C	g	t	f	n-h			
2"	8.50	2.00	.381	6.50	5.00	3.62	0.87	0.06	8-.750	7.87	9.84	24.21
3"	11.12	3.00	.468	8.25	6.62	5.00	1.12	0.06	8-.875	9.84	9.84	28.15
4"	12.00	4.00	.500	10.00	7.88	6.18	1.25	0.06	8-.875	9.84	13.77	35.62
6"	15.87	8.00	.688	12.50	10.62	8.50	1.44	0.06	12-.875	14.00	13.77	49.72
8"	16.50	8.00	.688	15.00	13.00	10.62	1.62	0.06	12-1.00	15.75	19.68	57.28

Remark: Larger sizes available upon request.

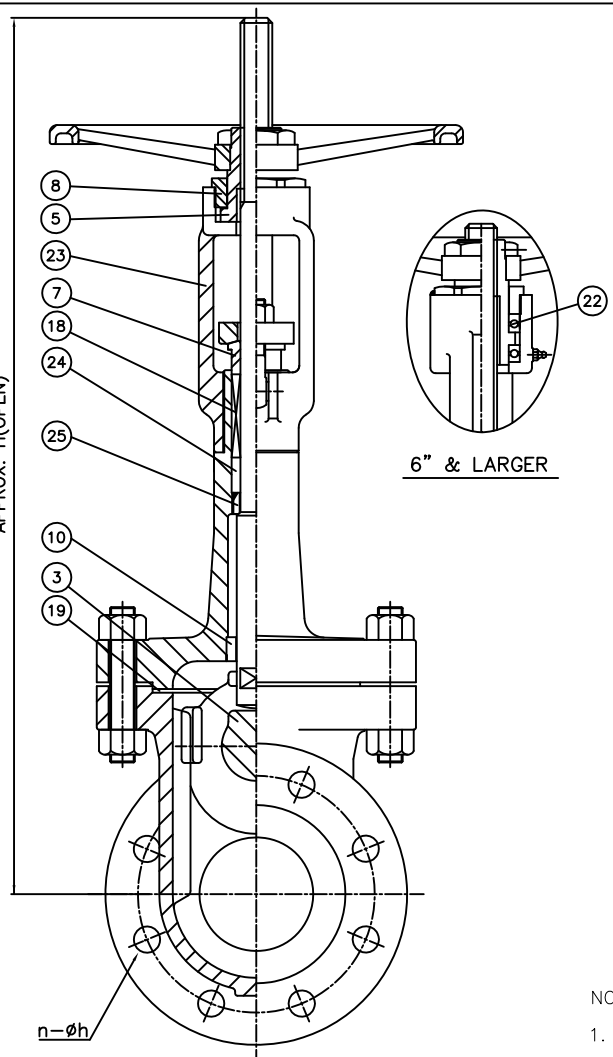
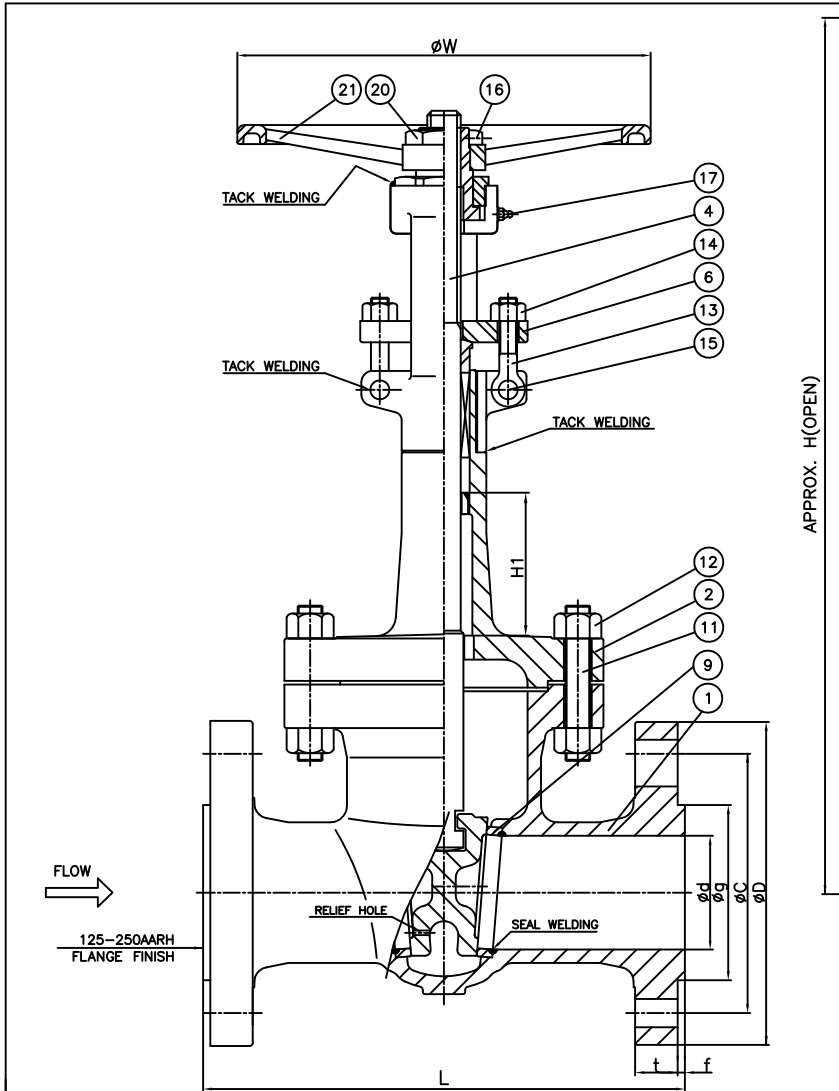
MARKING SYSTEM	MSS-SP-25	INSPECTION & TEST:	API 598	MATERIAL:	A351-CF8M	UNITS:	Inch, mm						
DIM.OF FLANGE	ANSI B16.5	SHELL	HYDRO	1100PSI	CLASS:	300	DATE:	05/06/13	SCALE:	N.T.S.			
FACE TO FACE	ANSI B16.10	SEAT	AIR	80PSI	SIZE:	2" - 8"	FIG. No.:	S30F-6 316 EB					
		BACK SEAT	HYDRO	800PSI	DRAWN BY:	F.J.							
NO.	DATE	DESCRIPTION	PRP'D	REV'D	APP'D	DESIGNED	API 603, ANSI B16.34	CHK'D & APR'D BY:	R.P.	REV:	1	DWG No.:	11GA120032-11

WILLIAM E. WILLIAMS VALVE CORPORATION  
 38-52 REVIEW AVENUE LONG ISLAND CITY, NY 11101  
 TEL: 718-392-1660 FAX: 718-729-5106

TITLE: STAINLESS STEEL CRYOGENIC GATE VALVE CLASS 300 - API TRIM 10



# Wm. E. Williams No. S60F6 316 EB Class 600 RF OS&Y Gate Valve ASTM A351 CF8M (API TRIM 10)



BILL OF MATERIAL			
NO.	PART NAME	MATERIAL	Q'TY
1	BODY	A351-CF8M	1
2	BONNET	A351-CF8M	1
3	DISC	A351-CF8M	1
4	STEM	A479-316	1
5	YOKE SLEEVE	A439-D2C	1
6	GLAND FLANGE	A351-CF8	1
7	PACKING GLAND	A479-316	1
8	YOKE CAP	A351-CF8	1
9	SEAT RING	A182-F316	1
10	GUIDE RING	A479-316	1
11	BONNET BOLT	A320-B8	1SET
12	NUT	A194-8	1SET
13	HINGED EYE BOLT	A193-B8	2
14	NUT	A194-8	2
15	HINGE PIN	A479-304	2
16	SET SCREW	SS304	1
17	GREASE NIPPLE	SS304	1
18	PACKING	SEE NOTE 1	1SET
19	GASKET	SEE NOTE 1	1
20	HANDWHEEL NUT	A479-304	1
21	HANDWHEEL	A536	1
22	THRUST BALL BEARING	STEEL	2
23	YOKE	A351-CF8M	1
24	BACKUP RING	A479-316	1
25	BACKSEAT RING	A479-316	1

NOTE:

1. GRAPHITE OR PTFE: (SPECIFY WHEN ORDERED)

SIZE	L	d	FLANGE						W	H1	H
			D	C	g	t	f	n-h			
2"	11.50	2.00	6.50	5.00	3.62	1.00	0.25	8-0.87	7.87	7.87	22.28
3"	14.00	3.00	8.25	6.62	5.00	1.25	0.25	8-0.87	12.50	9.84	29.13
4"	17.00	4.00	10.75	8.50	6.18	1.50	0.25	8-1.00	14.00	13.77	38.38
6"	22.00	6.00	14.00	11.50	8.50	1.87	0.25	12-1.12	19.68	13.77	49.72

Remark: Larger sizes available upon request.

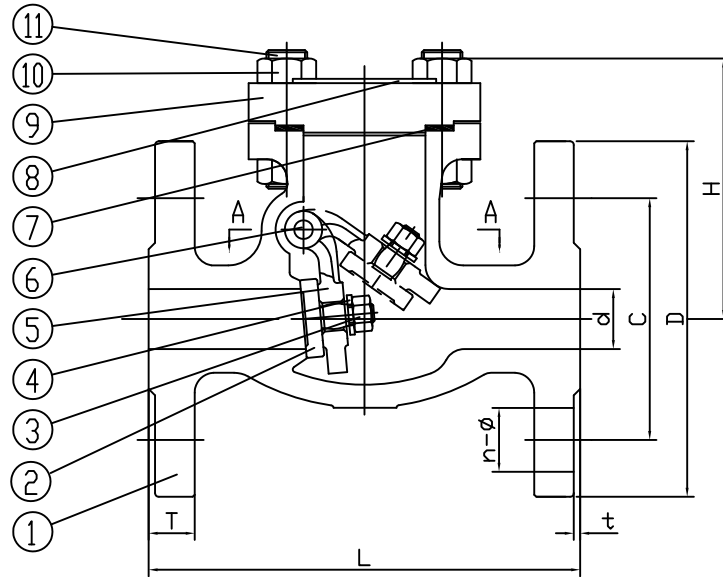
WILLIAM E. WILLIAMS VALVE CORPORATION  
 38-52 REVIEW AVENUE LONG ISLAND CITY, NY 11101  
 TEL: 718-392-1660 FAX: 718-729-5106

TITLE: STAINLESS STEEL CRYOGENIC GATE VALVE CLASS 600 - API TRIM 10 - R, F B, B OS&Y

MATERIAL: A351-CF8M	UNITS: Inch, mm
CLASS: 600 DATE: 05/06/13	SCALE: N.T.S.
SIZE: 2" - 6"	FIG. No.: S60F-6 316 EB
DRAWN BY: F.J.	CHK'D & APR'D BY: R.P. REV: 1 DWG No.: 11GA120033-11

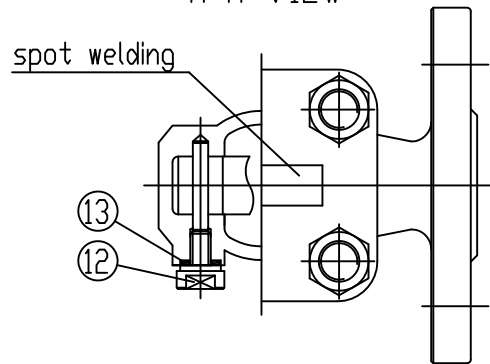
MARKING SYSTEM	MSS-SP-25	INSPECTION & TEST: API 598	
DIM.OF FLANGE	ANSI B16.5	SHELL HYDRO 2175PSI	
FACE TO FACE	ANSI B16.10	SEAT AIR 80PSI	
		BACK SEAT HYDRO 1600PSI	
NO. DATE	DESCRIPTION	PRP'D REV'D APP'D DESIGNED	
5/6/13	RELEASED	F.J. R.P. R.P.	API 603, ANSI B16.34

# Wm. E. Williams No. S151F6-316 Class 150 R.F. Swing Check Valve ASTM A 351 CF8M (API TRIM 10)



BILL OF MATERIAL			
NO.	PART NAME	MATERIAL	Q'TY
1	BODY	A351-CF8M	1
2	DISC	A351-CF8M	1
3	NUT	A351-CF8M	1
4	WASHER	A276-316	1
5	HINGE	A351-CF8M	1
6	HINGE PIN	A276-316	1
7	GASKET	PTFE	1
8	NAME PLATE	A276-304	1
9	BONNET	A351-CF8M	1
10	NUT	A194-8	1SET
11	BOLT	A193-B8	1SET
12	PLUG	A276-316	1
13	GASKET	PTFE	1

A-A VIEW



SIZE	d	L	D	C	g	T	t	H	n-ø
1/2"	15	108	89	60.5	35	11	1.6	79.5	4-16
3/4"	20	117	98	70.0	43	11.5	1.6	84	4-16
1"	25	127	108	79.5	51	12	1.6	89	4-16
1 1/2"	40	165	127	98.5	73	15	1.6	102	4-16
2"	50	203	152	120.5	92	16	1.6	113.5	4-19

WILLIAM E. WWW.WILLIAMSVALVE.COM



**WILLIAMS**  
VALVE CORPORATION

38-52 REVIEW AVENUE  
LONG ISLAND CITY, NY 11101 TEL: 718-392-1660  
FAX: 718-729-5106

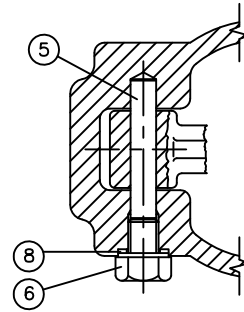
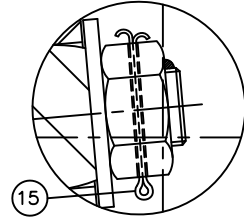
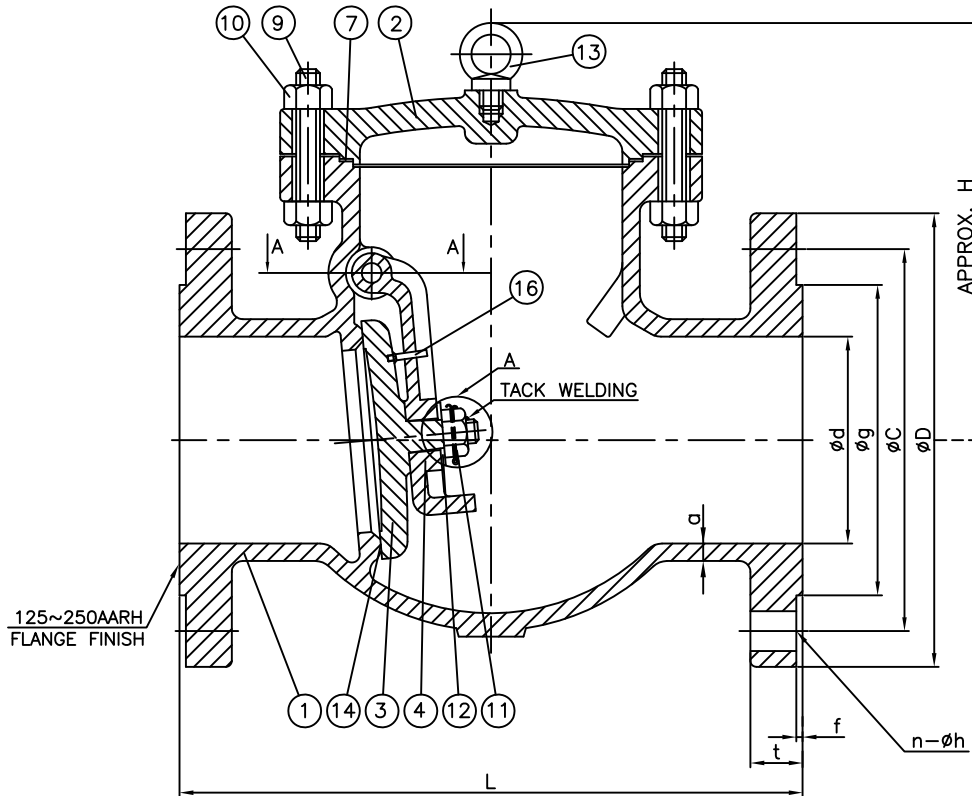
TITLE: STAINLESS STEEL SWING CHECK VALVE  
CLASS 150 - API TRIM 10

						MARKING SYSTEM	MSS-SP-25	INSPECTION & TEST: API 598			MATERIAL: A351-CF8M	UNITS: Inch, mm	
						DIM.OF FLANGE	ANSI B16.5	SHELL	HYDRO	425PSI	CLASS: 150	DATE: 08/03/15	SCALE: N.T.S.
						FACE TO FACE	ANSI B16.10	SEAT	AIR	80PSI	SIZE: 1/2" - 2"	FIG. No.: S151F6-316	
								BACK SEAT	HYDRO	325PSI	DRAWN BY: F.J.		
NO.	DATE	DESCRIPTION	PRP'D	REV'D	APP'D	DESIGNED	API 594, ANSI B16.34			CHK'D & APR'D BY: R.P.	REV: 1	DWG No.: 11SC120002-T-35	

Δ	8/3/15	RELEASED	F.J.	R.P.	R.P.
---	--------	----------	------	------	------



# Wm. E. Williams No. S151F6-316 Class 150 R.F. Swing Check Valve ASTM A 351 CF8M (API TRIM 10)



BILL OF MATERIAL				
NO.	PART NAME	MATERIAL	Q'TY	REMARK
1	BODY	A351-CF8M	1	
2	COVER	A351-CF8M	1	
3	DISC	A351-CF8M	1	
4	ARM	A351-CF8M	1	
5	PIN	A479-316	1	
6	PLUG BOLT	A479-316	1	
7	GASKET	SEE NOTE 1.	1	
8	PLUG GASKET	SS316	1	SERRATED
9	COVER BOLT	A193-B8	1SET	
10	NUT	A194-8	1SET	
11	DISC NUT	A194-8	1	
12	WASHER	A240-316	1	
13	EYE BOLT	A193-B8	1	6" & LARGER
14	SEAT RING	A351-CF8M	N/A	INTEGRAL FACED
15	SPLIT PIN	A479-316	1	
16	STOPPER PIN	SS316	2	

NOTE:  
1. GRAPHITE OR PTFE: (SPECIFY WHEN ORDERED)

UNIT : mm

SIZE (Inch)	d	L	FLANGE						H
			D	C	g	t	f	n-h	
2	50.8	203.2	152.4	120.7	91.9	15.8	1.6	4-19.1	135
2½	63.5	215.9	177.8	139.7	104.6	17.3	1.6	4-19.1	150
3	76.2	241.3	190.5	152.4	127.0	19.1	1.6	4-19.1	160
4	101.6	292.1	228.6	190.5	157.2	24.0	1.6	8-19.1	221
6	152.4	355.6	279.4	241.3	215.9	25.5	1.6	8-22.2	248
8	203.2	495.3	342.9	298.5	269.7	28.5	1.6	8-22.2	394
10	254.0	622.3	406.4	362.0	323.9	30.0	1.6	12-25.4	445
12	304.8	698.5	482.6	431.8	381.0	31.8	1.6	12-25.4	509
14	336.6	787.4	533.4	476.3	412.8	34.9	1.6	12-28.6	556
16	387.4	863.6	596.9	539.8	469.9	36.7	1.6	16-28.6	610
18	438.2	977.9	635.0	577.9	533.4	39.7	1.6	16-31.8	647
20	489.0	977.9	698.5	635.0	584.2	42.7	1.6	20-31.8	735
24	590.6	1295.4	812.8	749.3	692.2	47.6	1.6	20-34.9	784

7/30/15	RELEASED	F.J.	R.P.	R.P.	MARKING SYSTEM	MSS-SP-25	INSPECTION & TEST: API 598	MATERIAL: A351-CF8M	UNITS: Inch, mm
12/3/14	RELEASED	F.J.	R.P.	R.P.	DIM.OF FLANGE	ANSI B16.5	SHELL HYDRO 425PSI	CLASS: 150	DATE: 12/03/14
					FACE TO FACE	ANSI B16.10	SEAT AIR 80PSI	SIZE: 2" - 24"	SCALE: N.T.S.
							BACK SEAT HYDRO 325PSI	DRAWN BY: F.J.	FIG. No.: S151F6-316
NO.	DATE	DESCRIPTION	PRP'D	REV'D	APP'D	DESIGNED	API 594, ANSI B16.34	CHK'D & APR'D BY: R.P.	REV: 2
								DWG No.: 11SC120002-66	

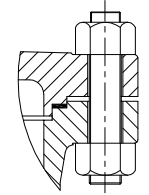
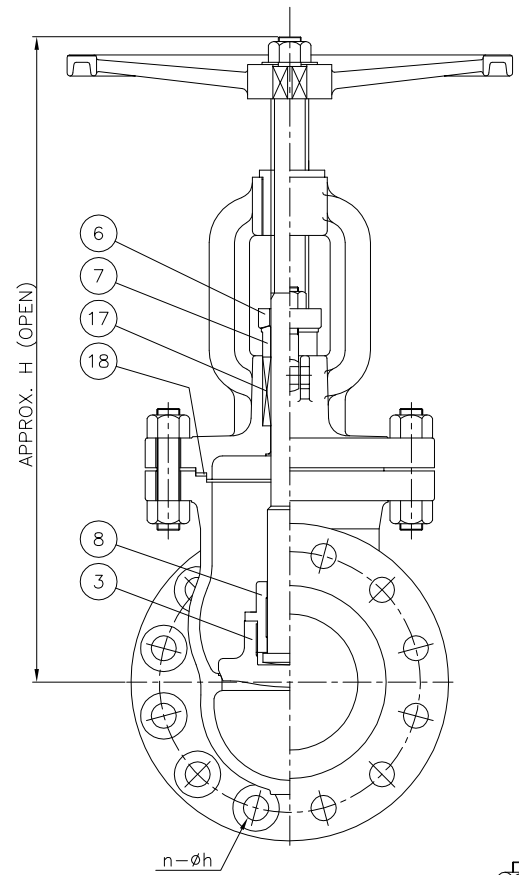
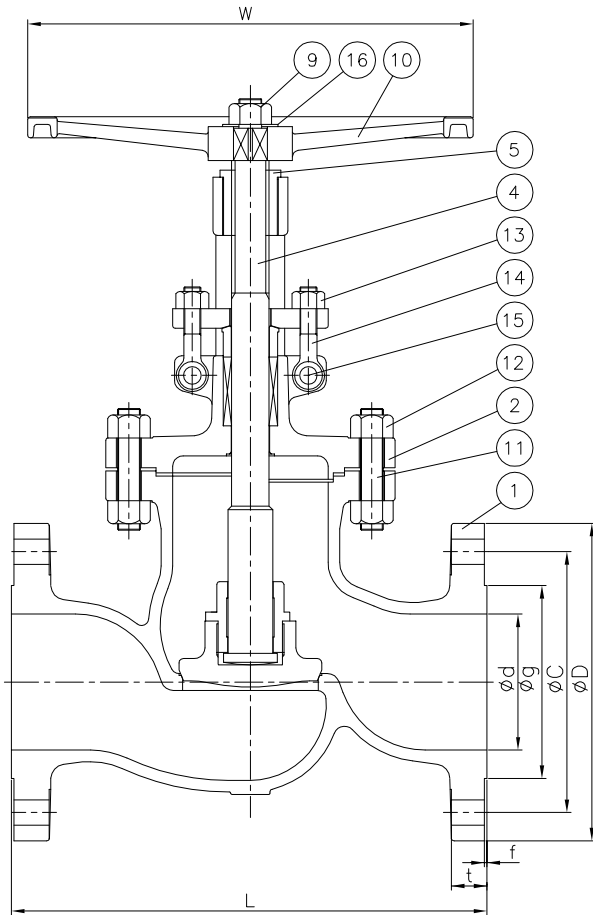
WILLIAM E. WILLIAMS VALVE CORPORATION

38-52 REVIEW AVENUE  
LONG ISLAND CITY, NY 11101

TEL: 718-392-1660  
FAX: 718-729-5106

TITLE: STAINLESS STEEL SWING CHECK VALVE  
CLASS 150 - API TRIM 10

# Wm. E. Williams No. S152F6-316 Class 150 RF OS&Y Globe Valve ASTM A351 CF8M (API TRIM 10)



CAPTURED GASKET

SIZE	L	d	D	C	g	t	f	n-h	w	H
0.50	4.250	0.500	3.500	2.375	1.375	0.453	0.062	4-0.625	4.000	7.00
0.75	4.625	0.750	3.875	2.750	1.687	0.453	0.062	4-0.625	4.000	7.37
1.00	5.000	1.000	4.250	3.125	2.000	0.453	0.062	4-0.625	5.000	8.50
1.50	6.500	1.500	5.000	3.875	2.875	0.562	0.062	4-0.625	6.500	9.88
2.00	8.000	2.000	6.000	4.750	3.625	0.625	0.062	4-0.750	8.000	10.75
2.50	8.500	2.500	7.000	5.500	4.125	0.687	0.062	4-0.750	8.500	12.37
3.00	9.500	3.000	7.500	6.000	5.000	0.750	0.062	4-0.750	9.500	13.50
4.00	11.50	4.000	9.000	7.500	6.185	0.953	0.062	8-0.750	11.50	14.37
6.00	16.00	6.000	11.00	9.500	8.500	1.000	0.062	8-0.875	14.00	16.50
8.00	19.50	8.000	13.50	11.75	10.62	1.125	0.062	8-0.875	14.00	19.87
10.00	24.50	10.00	16.00	14.50	12.75	1.187	0.062	12-1.00	16.00	22.37
12.00	27.50	12.00	19.00	17.00	15.00	1.250	0.062	12-1.00	18.00	26.87

Remark: Larger sizes available upon request.

## BILL OF MATERIAL

NO.	PART NAME	MATERIAL	Q'TY
1	BODY	A351-CF8M	1
2	BONNET	A351-CF8M	1
3	DISC	A351-CF8M	1
4	STEM	A276-316	1
5	YOKE BUSH	A439-D2C	1
6	GLAND FLANGE	A351-CF8	1
7	PACKING GLAND	A276-316	1
8	DISC NUT	A351-CF8M	1
9	HANDWHEEL NUT	A194-8	1
10	HANDWHEEL	A536	1
11	BONNET BOLT	A193-B8	1SET
12	NUT	A194-8	1SET
13	HINGED EYE BOLT	A276-304	2
14	NUT	A194-8	2
15	HINGE PIN	A276-304	2
16	WASHER	A240-316	1
17	PACKING	SEE NOTE 1	1SET
18	GASKET	SEE NOTE 1	1

NOTE:

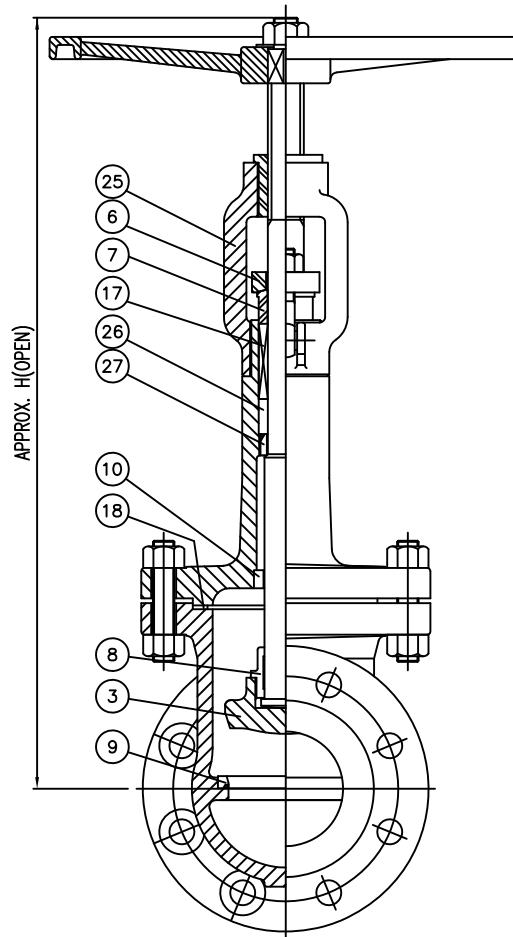
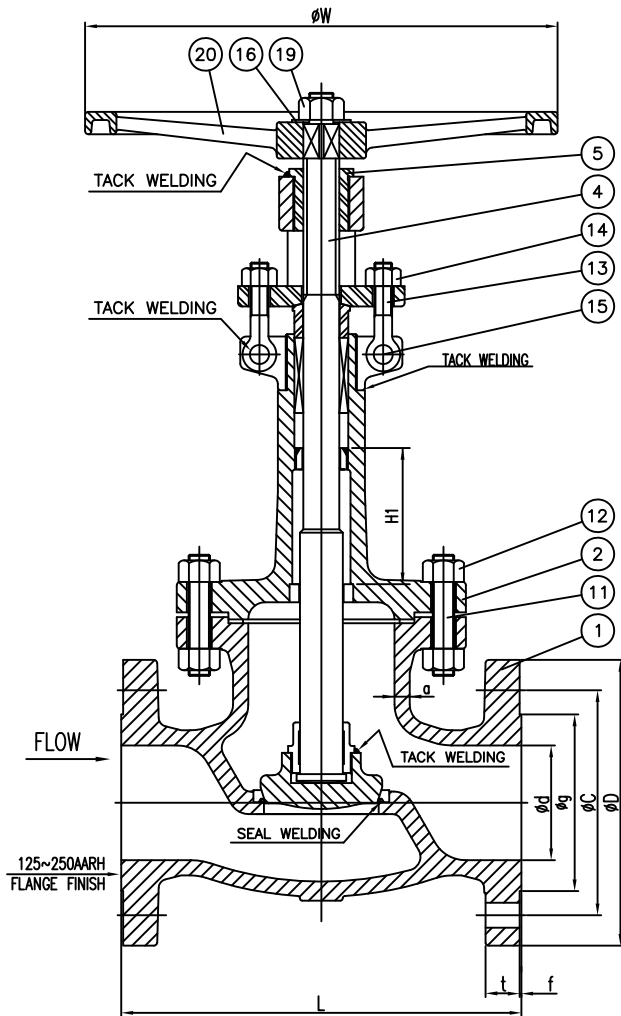
1. GRAPHITE OR PTFE: (SPECIFY WHEN ORDERED)

						MARKING SYSTEM	MSS-SP-25	INSPECTION & TEST: API 598	MATERIAL: A351-CF8M	UNITS: Inch, mm	
						DIM.OF FLANGE	ANSI B16.5	SHELL HYDRO 425PSI	CLASS: 150	DATE: 01/01/12	SCALE: N.T.S.
						FACE TO FACE	ANSI B16.10	SEAT AIR 80PSI	SIZE: 1/2" - 12"		FIG. No.: S152F6-316
								BACK SEAT HYDRO 325PSI	DRAWN BY: F.J.		
NO.	DATE	DESCRIPTION	PRP'D	REV'D	APP'D	DESIGNED	BS 1873, ANSI B16.34		CHK'D & APR'D BY: R.P.	REV: 1	DWG No.: 11GL120006

WILLIAM E. VALVE CORPORATION  
 38-52 REVIEW AVENUE  
 LONG ISLAND CITY, NY 11101  
 TEL: 718-392-1660  
 FAX: 718-729-5106

TITLE: STAINLESS STEEL GLOBE VALVE  
 CLASS 150 - API TRIM 10 - R,F,B OS&Y

**Wm. E. Williams No. S152F6 316 EB** Class 150 RF OS&Y Globe Valve ASTM A351 CF8M (API TRIM 10)



BILL OF MATERIAL			
NO.	PART NAME	MATERIAL	Q'TY
1	BODY	A351-CF8M	1
2	BONNET	A351-CF8M	1
3	DISC	A351-CF8M	1
4	STEM	A479-316	1
5	YOKE BUSH	A439-D2C	1
6	GLAND FLANGE	A351-CF8	1
7	PACKING GLAND	A479-316	1
8	DISC NUT	A479-316	1
9	SEAT RING	A182-F316	1
10	GUIDE RING	A479-316	1
11	BONNET BOLT	A320-B8	1SET
12	NUT	A194-8	1SET
13	HINGED EYE BOLT	A193-B8	2
14	NUT	A194-8	2
15	HINGE PIN	A479-304	2
16	WASHER	A240-304	1
17	PACKING	SEE NOTE 1	1SET
18	GASKET	SEE NOTE 1	1SET
19	HANDWHEEL NUT	A194-8	1
20	HANDWHEEL	A536	1
25	YOKE	A351-CF8M	1
26	BACKUP RING	A479-316	1
27	BACKSEAT RING	A479-316	1

NOTE:

1. GRAPHITE OR PTFE: (SPECIFY WHEN ORDERED)

UNIT : mm

SIZE (Inch)	L	d	Min a	FLANGE						W	H (open)	H1
				D	C	g	t	f	n-h			
2"	203.2	50.8	8.6	152.4	120.7	92.0	15.8	1.6	4-19.1	200	579	250
3"	241.3	76.2	10.4	190.5	152.4	127.0	19.1	1.6	4-19.1	250	675	250
4"	292.1	101.6	11.2	228.6	190.5	157.2	23.9	1.6	8-19.1	315	808	350
8"	495.3	203.2	12.7	342.9	298.5	269.7	27.5	1.6	8-22.4	450	1218	500

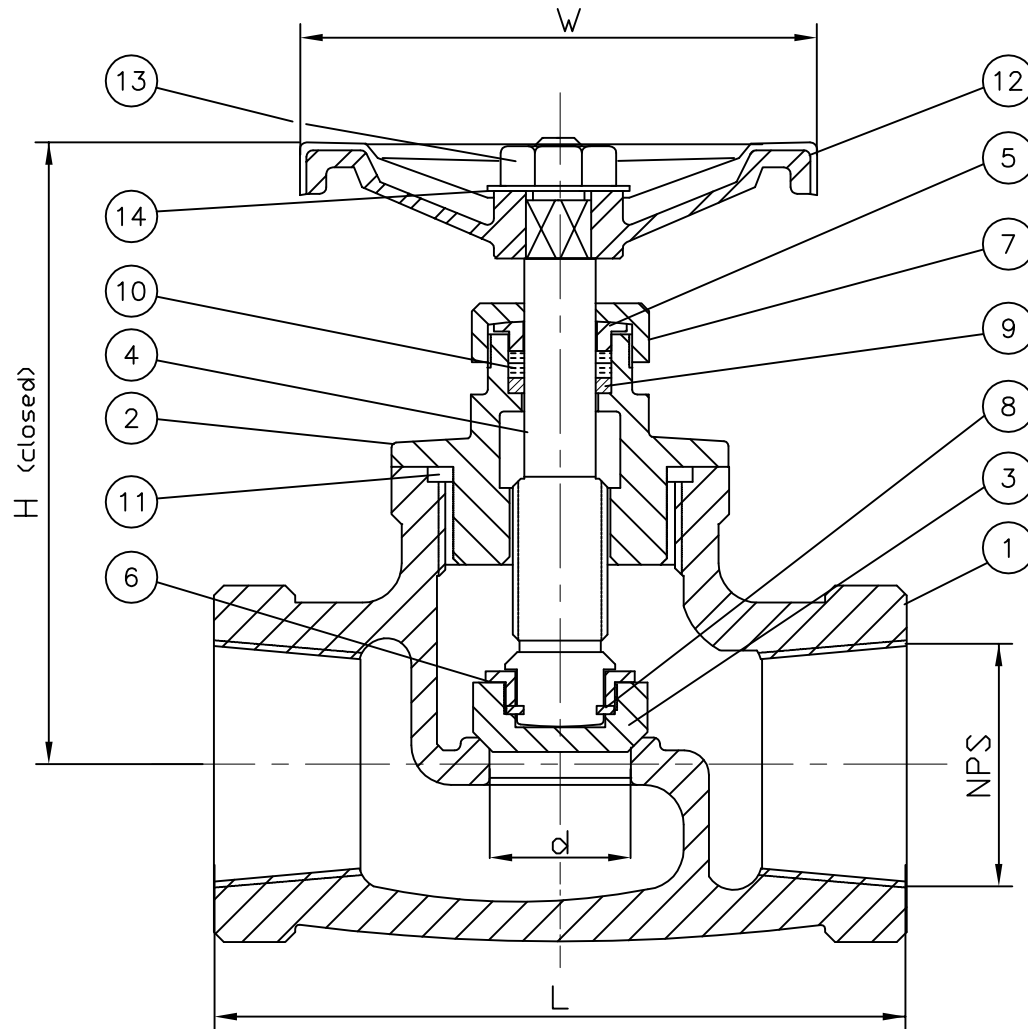
Remark: Other sizes available.

WILLIAM E. WILLIAMS VALVE CORPORATION  
 38-52 REVIEW AVENUE LONG ISLAND CITY, NY 11101  
 TEL: 718-392-1660 FAX: 718-729-5106

TITLE: S.S. CRYOGENIC SERVICE GLOBE VALVE  
 CLASS 150 - API TRIM 10 - RF - EXTENDED BONNET

MATERIAL: A351-CF8M	UNITS: Inch, mm
CLASS: 150	DATE: 07/24/15
SCALE: N.T.S.	FIG. No.: S152F-6 316 EB
SIZE: 2" - 8"	DRAWN BY: F.J.
FACE TO FACE: ANSI B16.10	BACK SEAT: HYDRO
INSPECTION & TEST: API 598	CHK'D & APR'D BY: R.P.
MARKING SYSTEM: MSS-SP-25	REV: 1
DIM. OF FLANGE: ANSI B16.5	DESIGNED: BS 1873, ANSI B16.34
SEAT: AIR	
HYDRO: 425PSI	
N/A	
325PSI	
NO. DATE DESCRIPTION PRP'D REV'D APP'D	
7/24/15 RELEASED F.J. R.P. R.P.	
NO. DATE DESCRIPTION PRP'D REV'D APP'D	

# Wm. E. Williams No. S202T6 316 Class 200 WOG Globe Valve ASTM A351 CF8M (API TRIM 10)



## BILL OF MATERIAL

NO.	PART NAME	MATERIAL
1	BODY	A351-CF8M
2	BONNET	A351-CF8M
3	DISC	A182 F316
4	STEM	A182 F316
5	GLAND	A182 F316
6	STEM NUT	A182 F316
7	GLAND NUT	A351-CF8M
8	STEM WASHER	A182 F316
9	PACKING COLLAR	A182 F316
10	PACKING	TEFLON PTFE
11	GASKET	TEFLON PTFE
12	HANDWHEEL	A126
13	HANDWHEEL HEXNUT	A276-304
14	I.D. LABEL	ALUMINUM

## FEATURES:

- THREADED BONNET
- INTEGRAL SEATS
- RISING STEM

SIZE	L	d	W	H
1/2"	2.56	0.59	2.76	3.74
3/4"	3.15	0.71	2.76	3.74
1.00"	3.54	0.94	3.15	3.74
1 1/4"	4.13	1.18	3.54	4.33
1 1/2"	4.72	1.45	3.54	4.53
2.00"	5.51	1.81	3.94	5.19

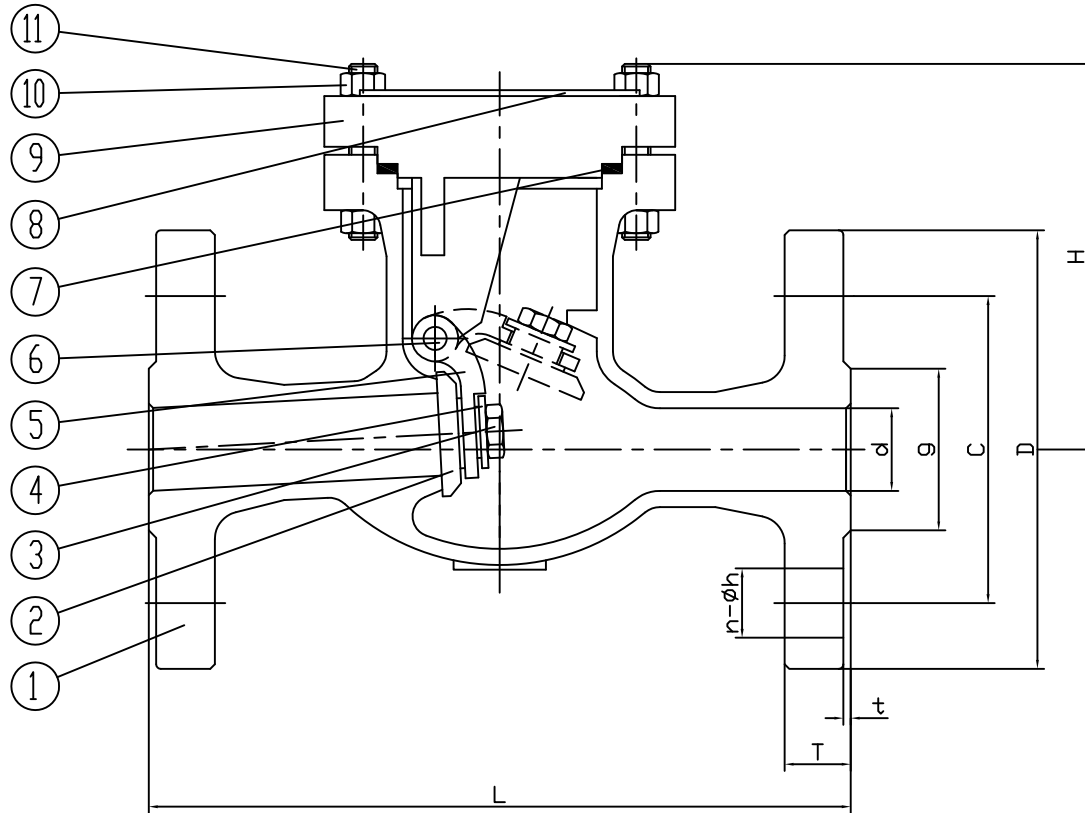


TITLE: STAINLESS STEEL WOG GLOBE VALVE  
THREADED ENDS - CLASS 200 - API TRIM 10

						MARKING SYSTEM	MSS-SP-25	INSPECTION & TEST: API 598			MATERIAL: A351-CF8M	UNITS: Inch, mm	
						THREADED ENDS	ANSI B 2.1	SHELL	HYDRO	300PSI	CLASS: 200	DATE: 02/12/13	SCALE: N.T.S.
								SEAT	AIR	N/A	SIZE: 1/2" - 2"		FIG. No.: S202T6 316
								BACK SEAT	HYDRO	220PSI	DRAWN BY: F.J.		
NO.	DATE	DESCRIPTION	PRP'D	REV'D	APP'D						CHK'D & APR'D BY: R.P.	REV: 1	DWG No.: 11GL120026

2/12/13	RELEASED	F.J.	R.P.	R.P.
---------	----------	------	------	------

# Wm. E. Williams No. S301F6-316 Class 300 R.F. Swing Check Valve ASTM A351 CF8M (API TRIM 10)



BILL OF MATERIAL			
NO.	PART NAME	MATERIAL	Q'TY
1	BODY	A351-CF8M	1
2	DISC	A351-CF8M	1
3	NUT	A194-8M	1
4	GASKET	A276-316	1
5	HINGE	A351-CF8M	1
6	HINGE PIN	A276-316	1
7	GASKET	PTFE	1
8	NAMEPLATE	A276-304	1
9	COVER	A351-CF8M	1
10	NUT	A194-8	4
11	BOLT	A193-B8	4

SIZE	d	L	D	C	g	T	t	H	n-ø
1/2"	17.9	152	95	66.5	35	15	1.6	84	4-16
3/4"	20	178	117	82.5	43	16	1.6	85	4-19
1"	25	216	124	89.0	51	18	1.6	88	4-19
1 1/2"	40	241	156	114.5	73	21	1.6	91	4-22
2"	51	267	165	127	92	23	1.6	101	8-19

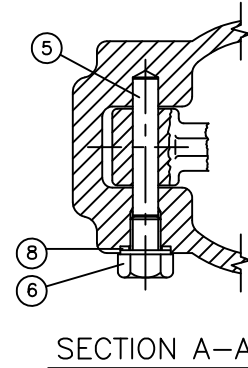
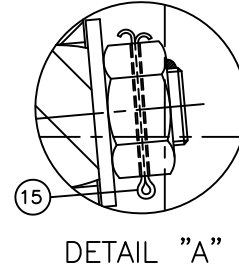
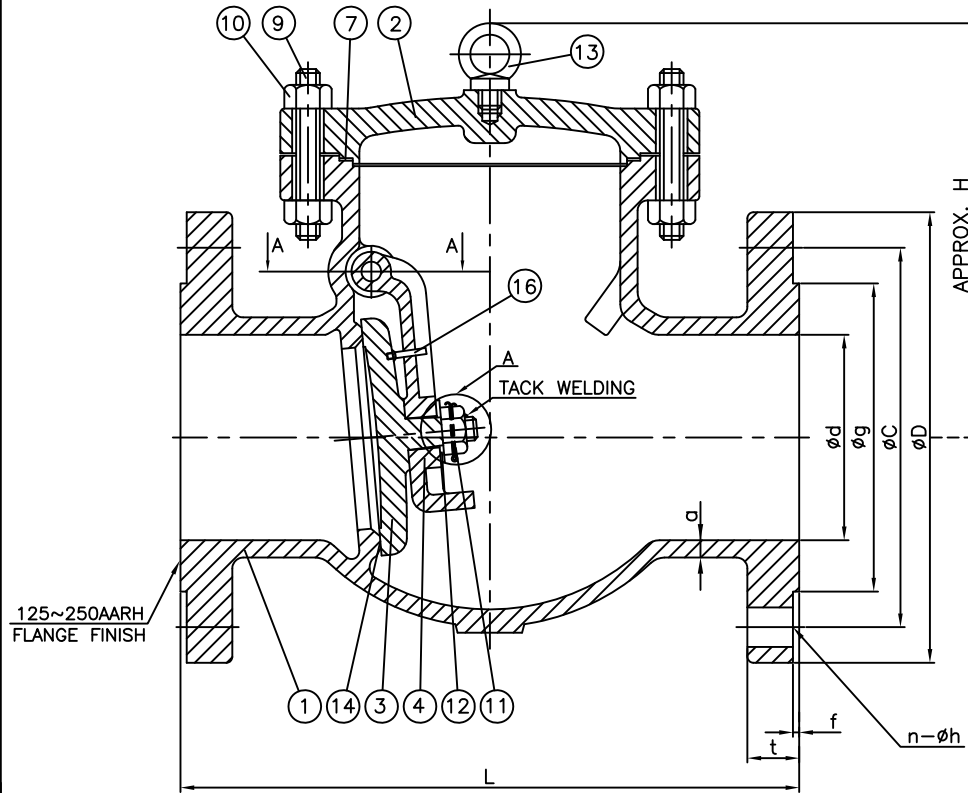


TITLE: STAINLESS STEEL SWING CHECK VALVE CLASS 300 - API TRIM 10		MATERIAL: A351-CF8M	UNITS: Inch, mm
CLASS: 300	DATE: 05/31/16	SCALE: N.T.S.	
SIZE: 1/2" - 2"	DRAWN BY: F.J.	FIG. No.: S301F6-316	
CHK'D & APR'D BY: R.P.	REV: 1	DWG No.: 11SC120009-T-35	

NO.	DATE	DESCRIPTION	PRP'D	REV'D	APP'D	DESIGNED	API 594, ANSI B16.34
Δ	5/31/16	RELEASED	F.J.	R.P.	R.P.		

MARKING SYSTEM	MSS-SP-25	INSPECTION & TEST: API 598	
DIM.OF FLANGE	ANSI B16.5	SHELL	HYDRO 1100PSI
FACE TO FACE	ANSI B16.10	SEAT	AIR N/A
		HPC SEAT	HYDRO 800PSI

# Wm. E. Williams No. S301F6-316 Class 300 R.F. Swing Check Valve ASTM A351 CF8M (API TRIM 10)



BILL OF MATERIAL				
NO.	PART NAME	MATERIAL	Q'TY	REMARK
1	BODY	A351-CF8M	1	
2	COVER	A351-CF8M	1	
3	DISC	A351-CF8M	1	
4	ARM	A351-CF8M	1	
5	PIN	A479-316	1	
6	PLUG BOLT	A479-316	1	
7	GASKET	SEE NOTE 1.	1	
8	PLUG GASKET	SS316	1	SERRATED
9	COVER BOLT	A193-B8	1SET	
10	NUT	A194-8	1SET	
11	DISC NUT	A194-8	1	
12	WASHER	A240-316	1	
13	EYE BOLT	A193-B8	1	6" & LARGER
14	SEAT RING	A351-CF8M	N/A	INTEGRAL FACED
15	SPLIT PIN	A479-316	1	
16	STOPPER PIN	SS316	2	

NOTE:  
1. GRAPHITE OR PTFE: (SPECIFY WHEN ORDERED)

UNIT : mm

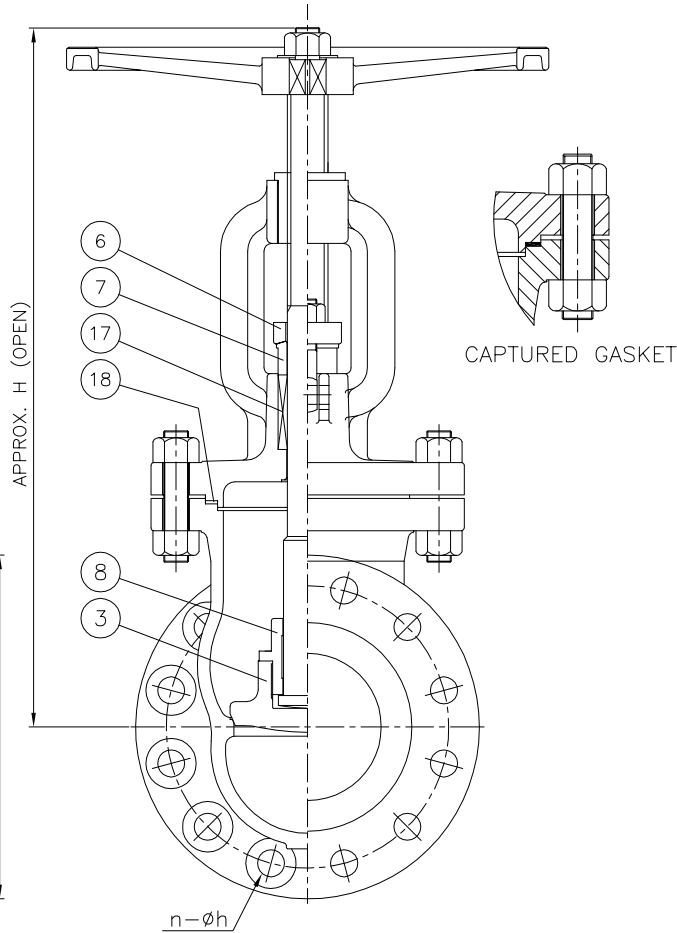
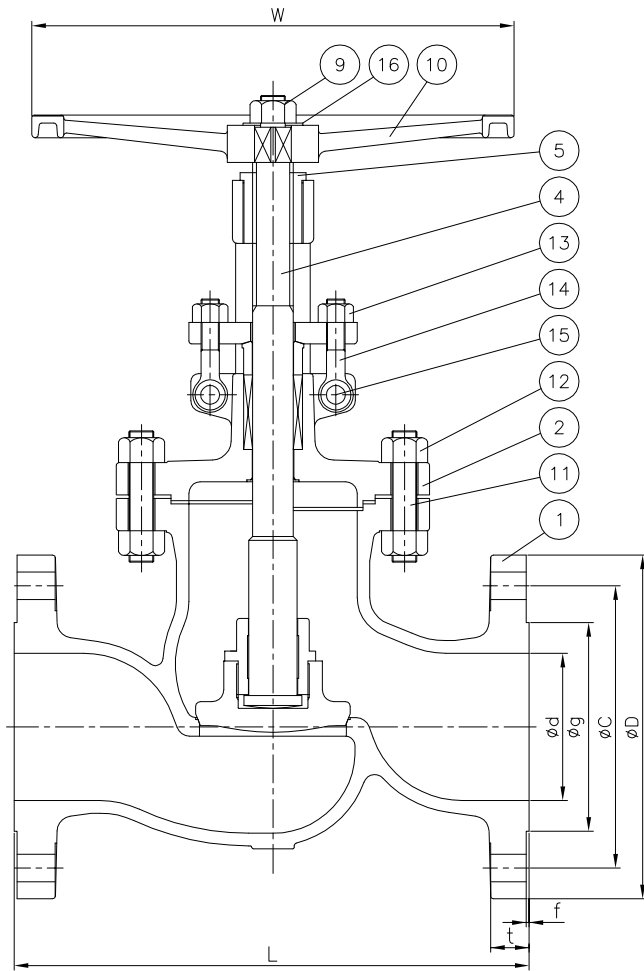
SIZE (Inch)	d	L	FLANGE						H
			D	C	g	t	f	n-h	
2	50.8	266.7	165.1	127.0	91.9	22.2	1.6	8-19.1	170
2½	63.5	292.1	190.5	149.4	104.6	25.5	1.6	8-22.2	193
3	76.2	317.5	209.6	168.1	127.0	28.5	1.6	8-22.2	193
4	101.6	355.6	254.0	200.2	157.2	31.8	1.6	8-22.2	223
6	152.4	444.5	317.5	269.7	215.9	36.7	1.6	12-22.2	311
8	203.2	533.4	381.0	330.2	269.7	41.2	1.6	12-25.4	403
10	254.0	622.3	444.5	387.4	323.9	47.6	1.6	16-28.6	472
12	304.8	711.2	520.7	450.9	381.0	50.9	1.6	16-31.8	537
14	336.6	838.2	584.2	514.4	412.8	53.9	1.6	20-31.8	633
16	387.4	863.6	647.7	571.5	469.9	57.2	1.6	20-34.9	698
18	431.8	977.9	711.2	628.7	533.4	60.3	1.6	24-34.9	764
20	482.6	1016.0	774.7	685.8	584.2	63.6	1.6	24-34.9	849
24	584.2	1346.2	914.4	812.8	692.2	69.9	1.6	24-41.3	1098

NO.	DATE	DESCRIPTION	PRP'D	REV'D	APP'D	DESIGNED	API 594, ANSI B16.34	MARKING SYSTEM	MSS-SP-25	INSPECTION & TEST: API 598	MATERIAL: A351-CF8M	UNITS: Inch, mm			
△	7/30/15	RELEASED	F.J.	R.P.	R.P.			DIM.OF FLANGE	ANSI B16.5	SHELL	HYDRO	1100PSI	CLASS: 300	DATE: 12/03/14	SCALE: N.T.S.
△	12/3/14	RELEASED	F.J.	R.P.	R.P.			FACE TO FACE	ANSI B16.10	SEAT	AIR	N/A	SIZE: 2" - 24"		FIG. No.: S301F6-316
										HPC SEAT	HYDRO	800PSI	DRAWN BY: F.J.		
													CHK'D & APR'D BY: R.P.	REV: 2	DWG No.: 11SC120009-66

WILLIAM E. WILLIAMS VALVE CORPORATION  
 38-52 REVIEW AVENUE LONG ISLAND CITY, NY 11101  
 TEL: 718-392-1660 FAX: 718-729-5106

TITLE: STAINLESS STEEL SWING CHECK VALVE CLASS 300 - API TRIM 10

# Wm. E. Williams No. S302F6-316 Class 300 RF OS&Y Globe Valve ASTM A351 CF8M (API TRIM 10)



BILL OF MATERIAL			
NO.	PART NAME	MATERIAL	Q'TY
1	BODY	A351-CF8M	1
2	BONNET	A351-CF8M	1
3	DISC	A351-CF8M	1
4	STEM	A276-316	1
5	YOKE BUSH	A439-D2C	1
6	GLAND FLANGE	A351-CF8	1
7	PACKING GLAND	A276-316	1
8	DISC NUT	A351-CF8M	1
9	HANDWHEEL NUT	A194-8	1
10	HANDWHEEL	A536	1
11	BONNET BOLT/STUD	A193-B8	1SET
12	NUT	A194-8	1SET
13	HINGED EYE BOLT	A276-304	2
14	NUT	A194-8	2
15	HINGE PIN	A276-304	2
16	WASHER	A240-304	1
17	PACKING	SEE NOTE 1	1SET
18	GASKET	SEE NOTE 1	1

NOTE:

1. GRAPHITE OR PTFE: (SPECIFY WHEN ORDERED)

SIZE	L	d	D	C	g	t	f	n-h	W	H
0.50	6.00	0.50	3.750	2.625	1.385	0.562	0.062	4-0.625	4.00	8.00
0.75	7.00	0.75	4.625	3.250	1.687	0.625	0.062	4-0.750	4.00	8.00
1.00	8.00	1.00	4.885	3.500	2.000	0.685	0.062	4-0.750	5.50	12.00
1.50	9.50	1.50	6.125	4.500	2.885	0.812	0.062	4-0.875	5.62	13.75
2.00	10.50	2.00	6.500	5.000	3.625	0.885	0.062	8-0.750	6.37	15.00
2.50	11.50	2.50	7.500	5.885	4.125	1.000	0.062	8-0.885	6.75	17.00
3.00	12.50	3.00	8.250	6.625	5.000	1.125	0.062	8-0.885	7.37	19.00
4.00	14.00	4.00	10.00	7.885	6.185	1.250	0.062	8-0.885	9.00	23.25
6.00	17.50	6.00	12.50	10.62	8.500	1.437	0.062	12-0.88	11.50	32.00
8.00	21.00	8.00	15.00	13.00	10.62	1.625	0.062	12-1.00	13.37	40.00
10.00	24.50	10.00	17.50	15.25	12.75	1.187	0.062	16-1.12	15.37	48.00
12.00	28.00	12.00	20.50	17.75	15.00	2.000	0.062	16-1.25	17.37	55.75
14.00	33.00	14.00	23.00	20.25	16.25	2.125	0.062	20-1.25	19.50	64.50
16.00	34.00	16.00	25.50	22.50	18.50	2.250	0.062	20-1.37	21.50	70.25
18.00	38.50	18.00	28.00	24.75	21.00	2.375	0.062	24-1.37	24.00	77.75
20.00	40.00	20.00	30.50	27.00	23.00	2.500	0.062	24-1.37	26.50	86.50
24.00	53.00	24.00	36.00	32.00	27.25	2.750	0.062	24-1.62	28.37	100.50

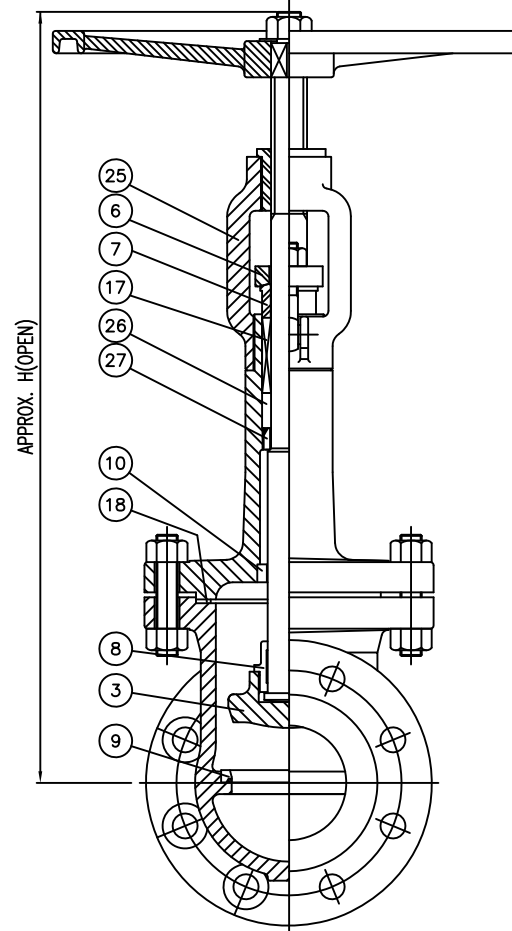
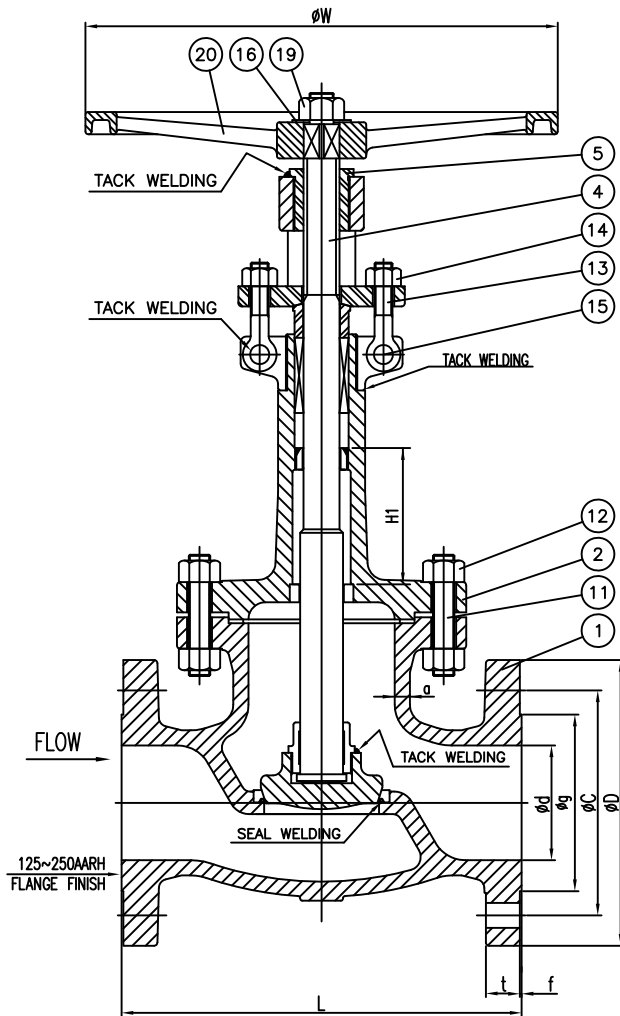
Remark: Larger sizes available upon request.

						MARKING SYSTEM	MSS-SP-25	INSPECTION & TEST: API 598	MATERIAL: A351-CF8M	UNITS: Inch, mm	
						DIM.OF FLANGE	ANSI B16.5	SHELL HYDRO 1100PSI	CLASS: 300	DATE: 01/01/12	SCALE: N.T.S.
						FACE TO FACE	ANSI B16.10	SEAT AIR 80PSI	SIZE: 1/2" - 24"		FIG.No.: S302F6-316
								BACK SEAT HYDRO 800PSI	DRAWN BY: F.J.		
NO.	DATE	DESCRIPTION	PRP'D	REV'D	APP'D	DESIGNED	BS 1873, ANSI B16.34		CHK'D & APR'D BY: R.P.	REV: 1	DWG No.: 11GL120007

WILLIAM E. VALVE CORPORATION  
 38-52 REVIEW AVENUE  
 LONG ISLAND CITY, NY 11101  
 TEL: 718-392-1660  
 FAX: 718-729-5106

TITLE: STAINLESS STEEL GLOBE VALVE  
 CLASS 300 - API TRIM 10 - R,F,B,B OS&Y

**Wm. E. Williams No. S302F6 316 EB** Class 300 RF OS&Y Globe Valve ASTM A351 CF8M (API TRIM 10)



BILL OF MATERIAL			
NO.	PART NAME	MATERIAL	Q'TY
1	BODY	A351-CF8M	1
2	BONNET	A351-CF8M	1
3	DISC	A351-CF8M	1
4	STEM	A479-316	1
5	YOKE BUSH	A439-D2C	1
6	GLAND FLANGE	A351-CF8	1
7	PACKING GLAND	A479-316	1
8	DISC NUT	A479-316	1
9	SEAT RING	A182-F316	1
10	GUIDE RING	A479-316	1
11	BONNET BOLT	A320-B8	1SET
12	NUT	A194-8	1SET
13	HINGED EYE BOLT	A193-B8	2
14	NUT	A194-8	2
15	HINGE PIN	A479-304	2
16	WASHER	A240-304	1
17	PACKING	SEE NOTE 1	1SET
18	GASKET	SEE NOTE 1	1SET
19	HANDWHEEL NUT	A194-8	1
20	HANDWHEEL	A536	1
25	YOKE	A351-CF8M	1
26	BACKUP RING	A479-316	1
27	BACKSEAT RING	A479-316	1

NOTE:

- GRAPHITE OR PTFE: (SPECIFY WHEN ORDERED)

UNIT : mm

SIZE (Inch)	L	d	Min a	FLANGE						W	H (open)	H1
				D	C	g	t	f	n-h			
2"	266.7	50.8	9.7	165.1	127.0	91.9	22.4	1.6	8-19.1	200	606	250
3"	317.5	76.2	11.9	209.6	168.1	127.0	28.5	1.6	8-22.4	250	677	250
4"	355.6	101.6	12.7	254.0	200.2	157.2	31.7	1.6	8-22.4	315	827	350
8"	533	203.2	17.5	381.0	330.2	269.7	41.2	1.6	12-25.4	450	1115	500
10"	622.3	254.0	12.7	444.5	387.4	323.9	47.8	1.6	16-28.5	610	1176	500
12"	711.2	304.8	12.7	520.7	450.9	381.0	50.8	1.6	16-31.8	610	1240	500

Remark: Other sizes available.

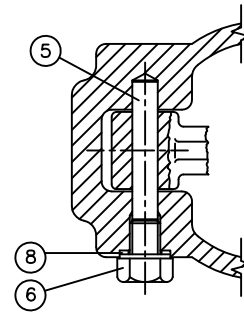
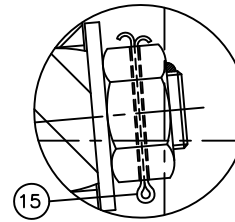
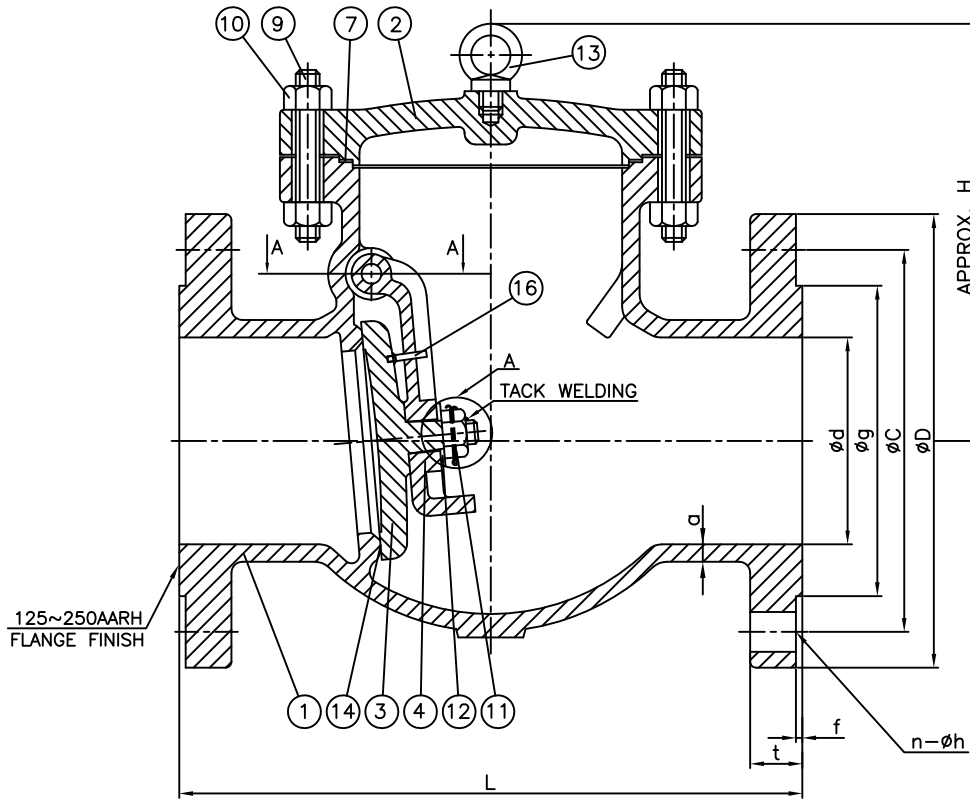


TITLE: S.S. CRYOGENIC SERVICE GLOBE VALVE  
CLASS 300 - API TRIM 10 - RF - EXTENDED BONNET

MATERIAL: A351-CF3M	UNITS: Inch, mm
CLASS: 300	SCALE: N.T.S.
DATE: 07/24/15	FIG. No.: S302F-6 316 EB
SIZE: 2" - 12"	DRAWN BY: F.J.
FACE TO FACE: ANSI B16.10	BACK SEAT: HYDRO 800PSI
MARKING SYSTEM: MSS-SP-25	INSPECTION & TEST: API 598
BUTTWELD ENDS: ANSI B16.25	SHELL: HYDRO 1100PSI
SEAT: AIR	N/A
CHK'D & APR'D BY: R.P.	REV: 1
NO. DATE DESCRIPTION PRP'D REV'D APP'D DESIGNED	BS 1873, ANSI B16.34
7/24/15 RELEASED F.J. R.P. R.P.	
DWG No.: 11GL120135-66	



# Wm. E. Williams No. S601F6-316 Class 600 R.F. Swing Check Valve ASTM A351 CF8M (API TRIM 10)



BILL OF MATERIAL				
NO.	PART NAME	MATERIAL	Q'TY	REMARK
1	BODY	A351-CF8M	1	
2	COVER	A351-CF8M	1	
3	DISC	A351-CF8M	1	
4	ARM	A351-CF8M	1	
5	PIN	A479-316	1	
6	PLUG BOLT	A479-316	1	
7	GASKET	SEE NOTE 1.	1	
8	PLUG GASKET	SS316	1	SERRATED
9	COVER BOLT	A193-B8	1SET	
10	NUT	A194-8	1SET	
11	DISC NUT	A194-8	1	
12	WASHER	A240-316	1	
13	EYE BOLT	A193-B8	1	6" & LARGER
14	SEAT RING	A351-CF8M	N/A	INTEGRAL FACED
15	SPLIT PIN	A479-316	1	
16	STOPPER PIN	SS316	2	

NOTE:  
1. GRAPHITE OR PTFE: (SPECIFY WHEN ORDERED)

UNIT : mm

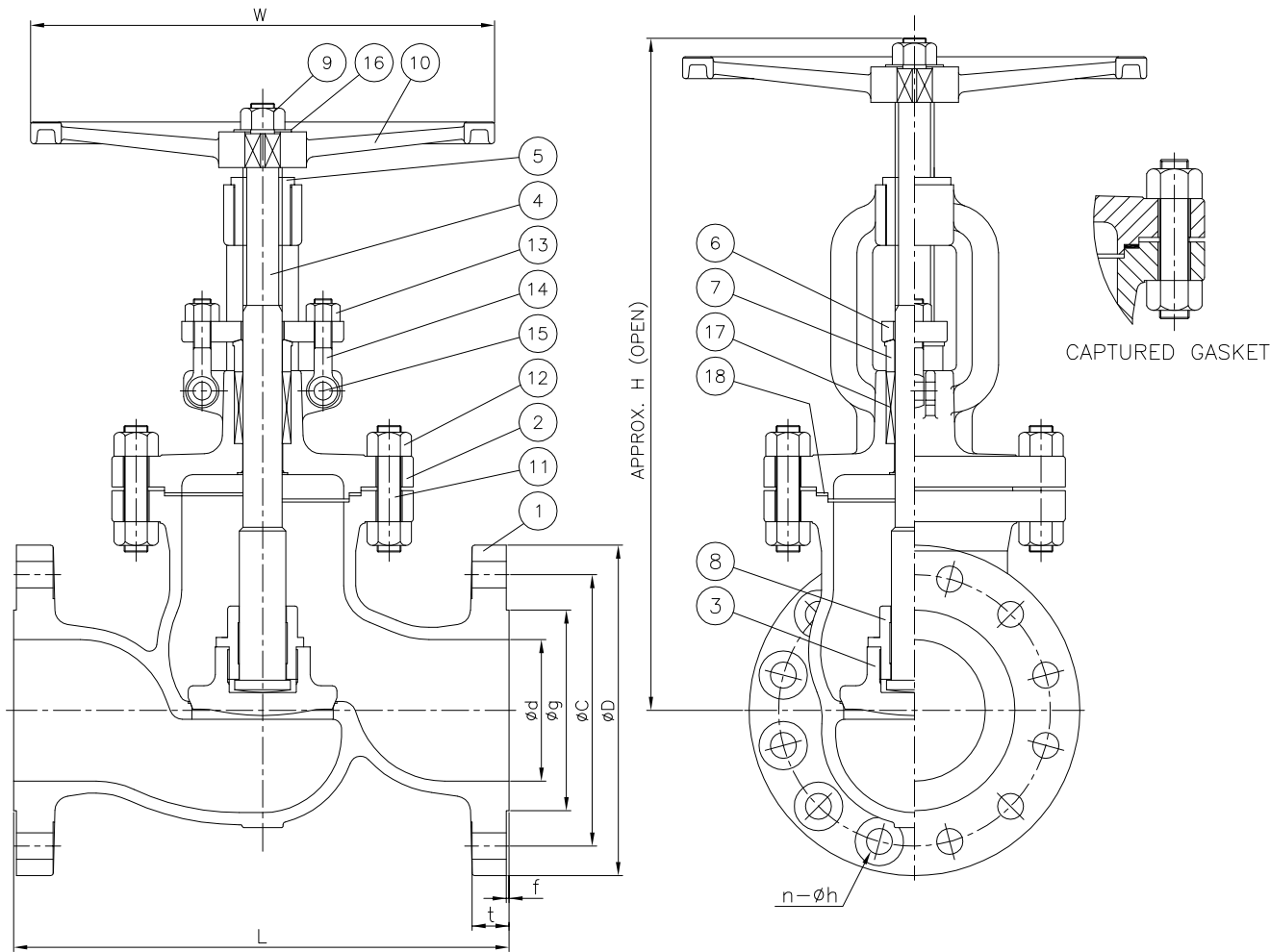
SIZE (Inch)	B	L	FLANGE						H
			O	C	R	t	f	n-h	
2	50.8	292.1	165.1	127.0	91.9	25.4	6.4	8-19.1	190
2½	63.5	330.2	190.5	149.4	104.6	28.4	6.4	8-19.1	246
3	76.2	355.6	209.6	168.1	127.0	31.8	6.4	8-22.2	246
4	101.6	431.8	273.1	215.9	157.2	38.1	6.4	8-25.4	337
6	152.4	558.8	355.6	292.1	215.9	47.8	6.4	12-28.6	413
8	199.9	660.4	419.1	349.3	269.7	55.6	6.4	12-31.8	518
10	247.7	787.4	508.0	431.8	323.9	63.5	6.4	16-34.9	604
12	298.5	838.2	558.8	489.0	381.0	66.5	6.4	20-34.9	687
14	326.9	889.0	603.3	527.1	412.8	69.9	6.4	20-38.1	-
16	374.7	990.6	685.8	603.3	469.9	76.2	6.4	20-41.3	-
18	419.1	1092.2	743.0	654.1	533.4	82.6	6.4	20-44.5	-
20	463.6	1193.8	812.8	723.9	584.2	88.9	6.4	24-44.5	-
24	558.8	1397.0	939.8	838.2	692.2	101.6	6.4	24-50.8	-

NO.	DATE	DESCRIPTION	PRP'D	REV'D	APP'D	DESIGNED	API 594, ANSI B16.34	MARKING SYSTEM	MSS-SP-25	INSPECTION & TEST: API 598	MATERIAL: A351-CF8M	UNITS: Inch, mm
△	7/30/15	RELEASED	F.J.	R.P.	R.P.			DIM.OF FLANGE	ANSI B16.5	SHELL HYDRO	2175PSI	CLASS: 600
△	12/3/14	RELEASED	F.J.	R.P.	R.P.			FACE TO FACE	ANSI B16.10	SEAT AIR	80PSI	DATE: 12/03/14
										BACK SEAT HYDRO	1600PSI	SCALE: N.T.S.
												FIG.No.: S601F6-316
												DRAWN BY: F.J.
												CHK'D & APR'D BY: R.P.
												REV: 2
												DWG No.: 11SC120008-66

WILLIAM E. WILLIAMS VALVE CORPORATION  
 38-52 REVIEW AVENUE LONG ISLAND CITY, NY 11101  
 TEL: 718-392-1660 FAX: 718-729-5106

TITLE: STAINLESS STEEL SWING CHECK VALVE CLASS 600 - API TRIM 10

# Wm. E. Williams No. S602F6-316 Class 600 RF OS&Y Globe Valve ASTM A351 CF8M (API TRIM 10)



BILL OF MATERIAL			
NO.	PART NAME	MATERIAL	Q'TY
1	BODY	A351-CF8M	1
2	BONNET	A351-CF8M	1
3	DISC	A351-CF8M	1
4	STEM	A276-316	1
5	YOKE BUSH	A439-D2C	1
6	GLAND FLANGE	A351-CF8	1
7	PACKING GLAND	A276-316	1
8	DISC NUT	A351-CF8M	1
9	HANDWHEEL NUT	A193-B8	1
10	HANDWHEEL	A536	1
11	BONNET BOLT/STUD	A193-B8	1SET
12	NUT	A194-8	1SET
13	HINGED EYE BOLT	A276-304	2
14	NUT	A194-8	2
15	HINGE PIN	A276-304	2
16	WASHER	A240-304	1
17	PACKING	SEE NOTE 1	1SET
18	GASKET	SEE NOTE 1	1

NOTE:

1. GRAPHITE OR PTFE: (SPECIFY WHEN ORDERED)

SIZE	L	d	D	C	g	t	f	n-h	W	H
2.00	11.5	2.00	6.50	5.000	3.625	1.000	0.25	8-0.750	8.50	15.50
2.50	13.0	2.50	7.50	5.885	4.125	1.125	0.25	8-0.875	8.50	17.75
3.00	14.0	3.00	8.25	6.625	5.000	1.250	0.25	8-0.875	10.37	20.50
4.00	17.0	4.00	10.75	8.500	6.125	1.500	0.25	8-1.000	11.50	24.00
6.00	22.0	6.00	14.00	11.50	8.500	1.875	0.25	12-1.12	13.00	29.50
8.00	26.0	8.00	16.50	13.75	10.62	2.185	0.25	12-1.25	14.87	32.00
10.00	31.0	10.00	20.00	17.00	12.75	2.500	0.25	16-1.37	16.37	49.00
12.00	33.0	12.00	22.00	19.25	15.00	2.625	0.25	20-1.37	18.87	58.00

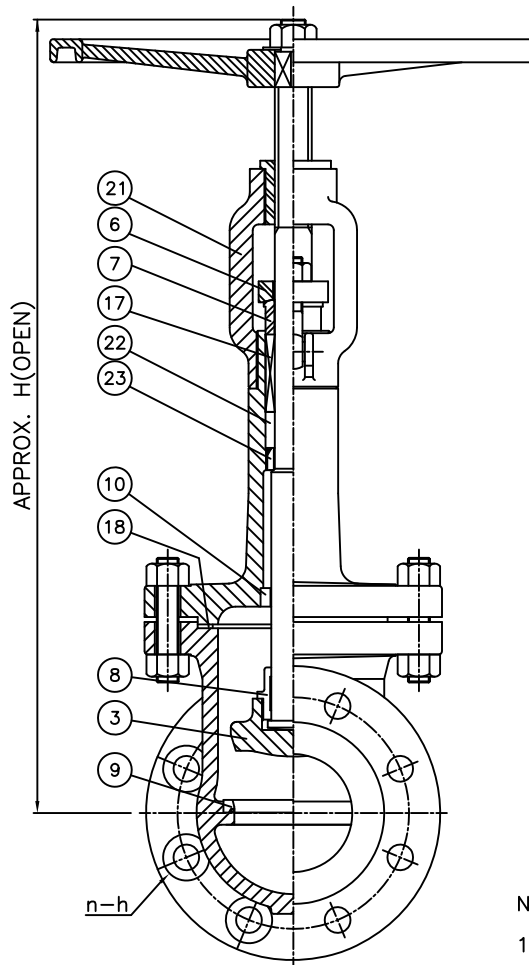
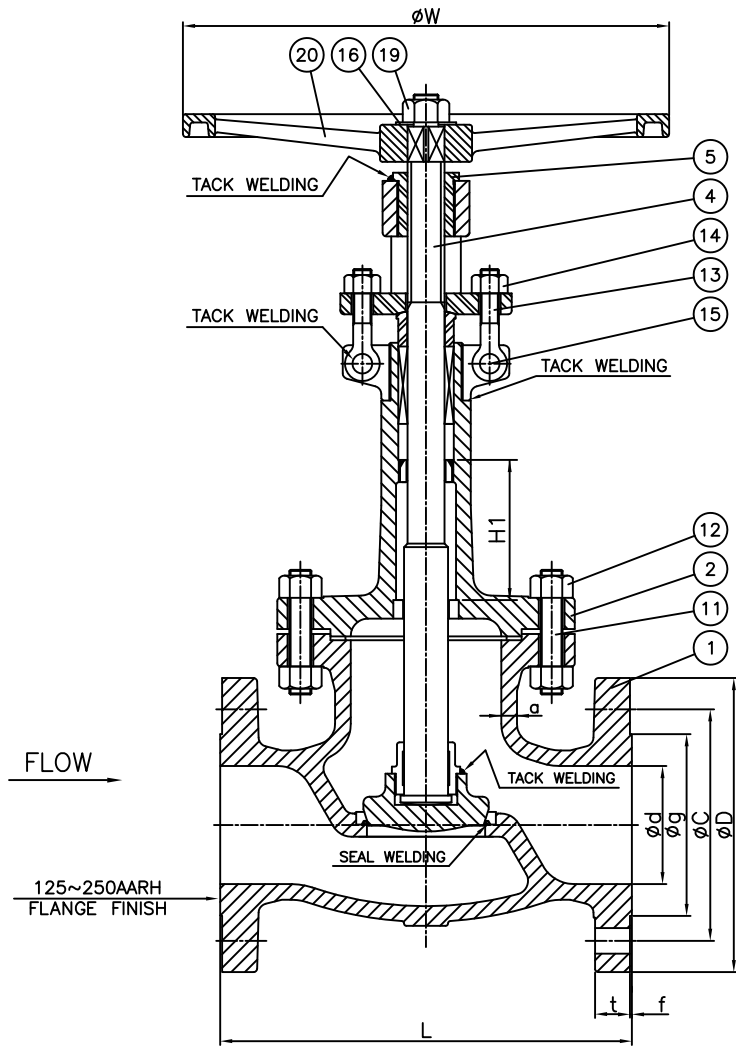
Remark: Larger sizes available upon request.

						MARKING SYSTEM	MSS-SP-25	INSPECTION & TEST: API 598	MATERIAL: A351-CF8M	UNITS: Inch, mm	
						DIM.OF FLANGE	ANSI B16.5	SHELL HYDRO	2175PSI	CLASS: 600 DATE: 01/01/12	SCALE: N.T.S.
						FACE TO FACE	ANSI B16.10	SEAT AIR	80PSI	SIZE: 2" - 12"	FIG. No.: S602F6-316
								BACK SEAT HYDRO	1600PSI	DRAWN BY: F.J.	
NO.	DATE	DESCRIPTION	PRP'D	REV'D	APP'D	DESIGNED	BS 1873, ANSI B16.34			CHK'D & APR'D BY: R.P.	REV: 1 DWG No.: 11GL120010

WILLIAM E. VALVE CORPORATION  
 38-52 REVIEW AVENUE  
 LONG ISLAND CITY, NY 11101  
 TEL: 718-392-1660  
 FAX: 718-729-5106

TITLE: STAINLESS STEEL GLOBE VALVE  
 CLASS 600 - API TRIM 10 - R,F B,B OS&Y

# Wm. E. Williams No. S602F6 316 EB Class 600 RF OS&Y Globe Valve ASTM A351 CF8M (API TRIM 10)



## BILL OF MATERIAL

NO.	PART NAME	MATERIAL	Q'TY
1	BODY	A351-CF8M	1
2	BONNET	A351-CF8M	1
3	DISC	A351-CF8M	1
4	STEM	A479-316	1
5	YOKE BUSH	A439-D2C	1
6	GLAND FLANGE	A351-CF8	1
7	PACKING GLAND	A479-316	1
8	DISC NUT	A479-316	1
9	BODY SEAT	A182-F316	1
10	GUIDE RING	A479-316	1
11	BONNET BOLT	A320-B8	1SET
12	NUT	A194-8	1SET
13	HINGED EYE BOLT	A193-B8	2
14	NUT	A194-8	2
15	HINGE PIN	A479-304	2
16	WASHER	A240-304	1
17	PACKING	SEE NOTE 1	1SET
18	GASKET	SEE NOTE 1	1
19	HANDWHEEL NUT	A194-8	1
20	HANDWHEEL	A536	1
21	YOKE	A351-CF8M	1
22	BACKUP RING	A479-316	1
23	BACKSEAT RING	A479-316	1

NOTE:

1. GRAPHITE OR PTFE: (SPECIFY WHEN ORDERED)

SIZE	L	d	Min a	FLANGE						W	H1	H
				D	C	g	t	f	n-h			
2"	11.50	2.00	.502	6.50	5.00	3.31	1.00	0.25	8-.750	9.84	7.87	23.75
3"	14.00	3.00	.562	8.25	6.62	4.62	1.25	0.25	8-.875	14.00	9.84	29.41
4"	17.00	4.00	.633	10.75	8.50	6.00	1.50	0.25	8-1.00	17.75	13.77	36.00
6"	22.00	6.00	.771	14.00	11.50	8.75	1.87	0.25	12-1.12	17.75	13.77	44.25

Remark: Larger sizes available upon request.

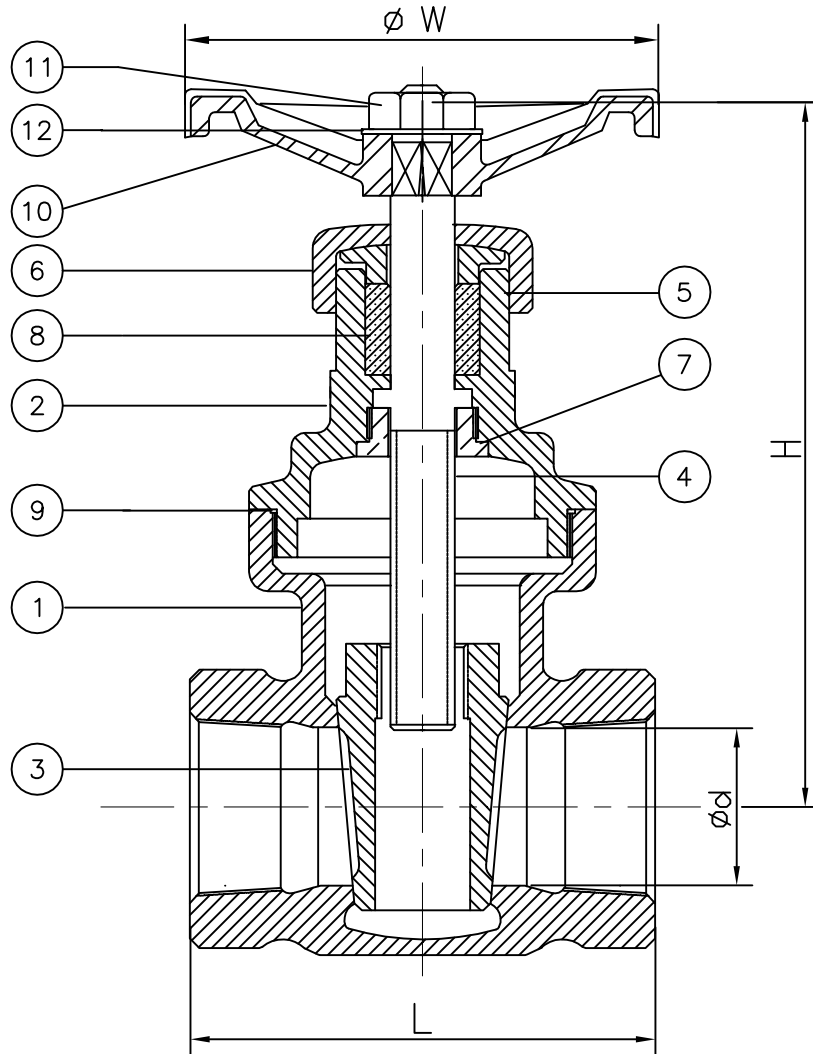
WILLIAM E. WILLIAMS VALVE CORPORATION  
 38-52 REVIEW AVENUE LONG ISLAND CITY, NY 11101  
 TEL: 718-392-1660 FAX: 718-729-5106

TITLE: CAST STAINLESS STEEL CRYOGENIC GLOBE VALVE CLASS 600 - API TRIM 10 - R, F, B OS&Y

MARKING SYSTEM	MSS-SP-25	INSPECTION & TEST:	API 598	MATERIAL:	A351-CF8M	UNITS:	Inch, mm						
DIM.OF FLANGE	ANSI B16.5	SHELL	HYDRO	2175PSI	CLASS:	600	DATE:	05/06/13	SCALE:	N.T.S.			
FACE TO FACE	ANSI B16.10	SEAT	AIR	N/A	SIZE:	2" - 6"	FIG. No.:	S602F-6 316 EB					
		BACK SEAT	HYDRO	1600PSI	DRAWN BY:	F.J.							
NO.	DATE	DESCRIPTION	PRP'D	REV'D	APP'D	DESIGNED	BS 1873, ANSI B16.34	CHK'D & APR'D BY:	R.P.	REV:	1	DWG No.:	11GL120034-66



# Wm. E. Williams No. SN20T6 316 Class 200 WOG NRS Gate Valve ASTM A351 CF8M (API TRIM 10)



## BILL OF MATERIAL

NO.	PART NAME	MATERIAL
1	BODY	A351-CF8M
2	BONNET	A351-CF8M
3	DISC	A182 F316
4	STEM	A182 F316
5	GLAND	A182 F316
6	GLAND NUT	A351-CF8M
7	RETAINER BUSHING	A182 F316
8	PACKING	TEFLON PTFE
9	GASKET	TEFLON PTFE
10	HANDWHEEL	A126
11	HANDWHEEL HEXNUT	A276-304
12	I.D. LABEL	ALUMINUM

### FEATURES:

- THREADED BONNET
- INTEGRAL SEATS
- NON RISING STEM
- OS&Y AVAILABLE

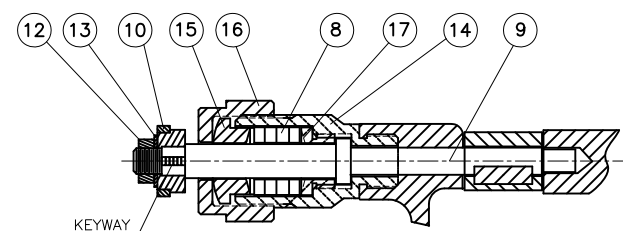
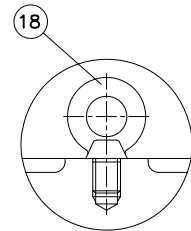
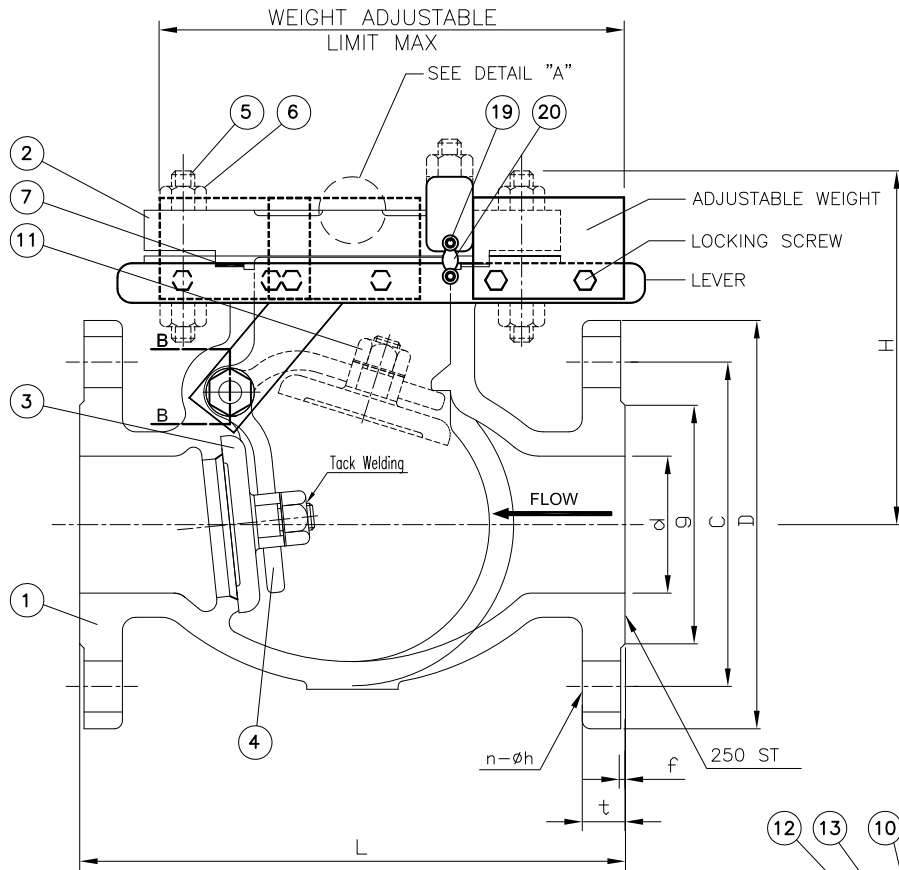
SIZE	L	d	W	H
1/2"	2.01	0.59	2.64	3.07
3/4"	2.21	0.79	2.64	3.27
1.00"	2.50	0.98	2.95	3.54
1 1/4"	2.80	1.26	2.95	3.82
1 1/2"	3.02	1.57	3.39	4.06
2.00"	3.41	1.97	3.98	4.65



TITLE: STAINLESS STEEL WOG NRS GATE VALVE  
THREADED ENDS - CLASS 200 - API TRIM 10

						MATERIAL: A351-CF8M	UNITS: Inch, mm
						CLASS: 200	DATE: 02/12/13
						SIZE: 1/2" - 2"	SCALE: N.T.S.
						MARKING SYSTEM: MSS-SP-25	INSPECTION & TEST: API 598
						THREADED ENDS: ANSI B 2.1	SHELL: HYDRO 300PSI
						SEAT: AIR N/A	BACK SEAT: HYDRO 220PSI
Δ	2/12/13	RELEASED	F.J.	R.P.	R.P.		FIG. No.: SN20T6 316
NO.	DATE	DESCRIPTION	PRP'D	REV'D	APP'D	CHK'D & APR'D BY: R.P.	REV: 1 DWG No.: 11NRSGA120036

# Wm. E. Williams No. SPL-6 Class 150 Emergency Shut-Off Valve ASTM A351-CF8M (API Trim 10)



BILL OF MATERIALS			
NO.	PART NAME	MATERIAL	Q'TY
1	BODY	A351-CF8M	1
2	COVER	A351-CF8M	1
3	DISC	A351-CF8M	1
4	ARM	A351-CF8M	1
5	COVER BOLT	A193Gr B8	1SET
6	COVER NUT	A194Gr 8	1SET
7	GASKET	GRAPHITE	1
8	PACKING	GRAPHITE	1
9	HINGE PIN	A276-316	1
10	LEVER	A276-304	1
11	DISC NUT	A194Gr 8	1
12	LEVER NUT	A194Gr 8	1
13	WASHER	A240-316	1
14	PACKER BOX	S.S.	1
15	PACKING GLAND	A276-316	1
16	PACKING NUT	A276-316	1
17	RETAINER	A276-316	1
18	EYE BOLT	A193Gr B8	1
19	PIN	SS 18-8	2
20	FUSIBLE LINK (165')		2

SIZE	d	L	D	C	g	t	f	n-h	H
2.00	2.00	8.00	6.00	4.75	3.625	0.63	0.060	4-0.75	6.00
2.50	2.50	8.50	7.00	5.50	4.125	0.69	0.060	4-0.75	6.00
3.00	3.00	9.50	7.50	6.00	5.000	0.75	0.060	4-0.75	6.25
4.00	4.00	11.50	9.00	7.50	6.187	0.94	0.060	8-0.75	7.62
5.00	5.00	13.00	10.00	8.50	7.320	0.94	0.060	8-0.87	7.62
6.00	6.00	14.00	11.00	9.50	8.500	1.00	0.060	8-0.87	9.50
8.00	8.00	19.50	13.50	11.75	10.62	1.13	0.060	8-0.87	11.50
10.00	10.00	24.50	16.00	14.25	12.75	1.19	0.060	12-1.00	13.50
12.00	12.00	27.50	19.00	17.00	15.00	1.25	0.060	12-1.00	15.00
14.00	13.25	31.00	21.00	18.75	16.25	1.38	0.060	12-1.12	15.75
16.00	15.25	34.00	23.50	21.25	18.50	1.44	0.060	16-1.12	17.25

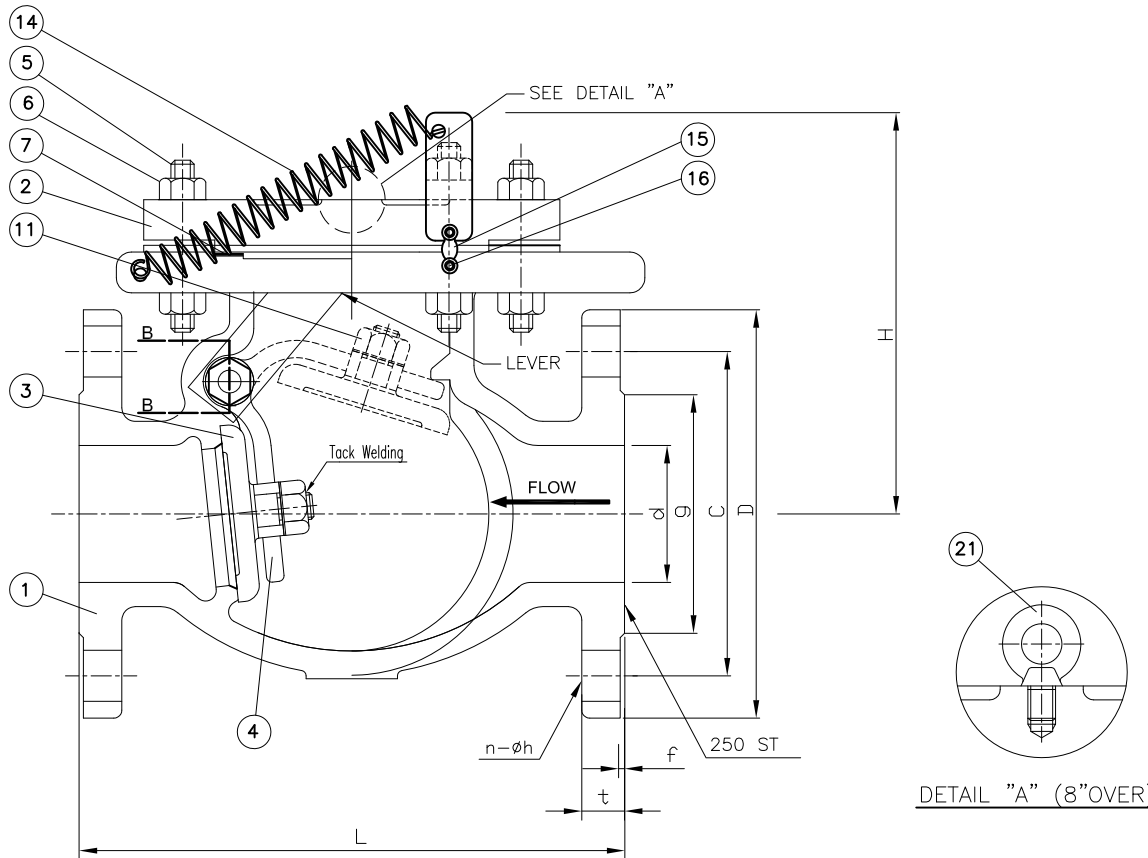
Remark: Larger sizes available upon request.

NO.	DATE	DESCRIPTION	PRP'D	REV'D	APP'D	DESIGNED	BS1868, ANSI B16.34	MATERIAL: A351-CF8M	UNITS: Inch, mm
Δ	8/27/13	RE-RELEASED	F.W.	R.P.	R.P.	MARKING SYSTEM	MSS-SP-25	INSPECTION & TEST: API 598	CLASS: 150
						DIM.OF FLANGE	ANSI B16.5	SHELL	HYDRO
						FACE TO FACE	ANSI B16.10	SEAT	AIR
						WALL THICKNESS	ANSI B16.34	BACK SEAT	HYDRO
								DATE: 01/01/12	SCALE: N.T.S.
								SIZE: 2" - 16"	FIG. No.: SPL-6
								DRAWN BY: F.J.	
								CHK'D & APR'D BY: R.P.	REV: 2
									DWG No.: 11ESOV120011

WILLIAM E. WILLIAMS VALVE CORPORATION  
 38-52 REVIEW AVENUE LONG ISLAND CITY, NY 11101  
 TEL: 718-392-1660 FAX: 718-729-5105

TITLE: STAINLESS STEEL EMERGENCY SHUT-OFF VALVE WITH ADJUSTABLE WEIGHT - CLASS 150 - API TRIM 10

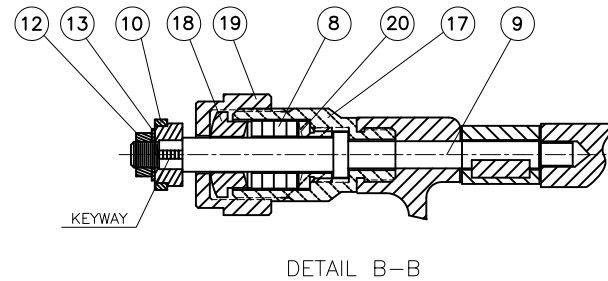
# Wm. E. Williams No. SPSL-6 Class 150 Emergency Shut-Off Valve ASTM A351-CF8M (API Trim 10)



BILL OF MATERIALS			
NO.	PART NAME	MATERIAL	Q'TY
1	BODY	A351-CF8M	1
2	COVER	A351-CF8M	1
3	DISC	A351-CF8M	1
4	ARM	A351-CF8M	1
5	COVER BOLT	A193Gr B8	1SET
6	COVER NUT	A194Gr 8	1SET
7	GASKET	GRAPHITE	1
8	PACKING	GRAPHITE	1
9	HINGE PIN	A276-316	1
10	LEVER	A276-304	1
11	DISC NUT	A194Gr 8	1
12	LEVER NUT	A194Gr 8	1
13	WASHER	A240-316	1
14	SPRING	MUSIC WIRE	1
15	FUSIBLE LINK		2
16	PIN	SS 18-8	2
17	PACKER BOX	S.S.	1
18	PACKING GLAND	A276-316	1
19	PACKING NUT	A276-316	1
20	RETAINER	A276-316	1
21	EYE BOLT	A193Gr B8	1

SIZE	d	L	D	C	g	t	f	n-h	H
2.00	2.00	8.00	6.00	4.75	3.625	0.63	0.060	4-0.75	6.00
2.50	2.50	8.50	7.00	5.50	4.125	0.69	0.060	4-0.75	6.00
3.00	3.00	9.50	7.50	6.00	5.000	0.75	0.060	4-0.75	6.25
4.00	4.00	11.50	9.00	7.50	6.187	0.94	0.060	8-0.75	7.62
5.00	5.00	13.00	10.00	8.50	7.320	0.94	0.060	8-0.87	7.62
6.00	6.00	14.00	11.00	9.50	8.500	1.00	0.060	8-0.87	9.50
8.00	8.00	19.50	13.50	11.75	10.62	1.13	0.060	8-0.87	11.50
10.00	10.00	24.50	16.00	14.25	12.75	1.19	0.060	12-1.00	13.50
12.00	12.00	27.50	19.00	17.00	15.00	1.25	0.060	12-1.00	15.00
14.00	13.25	31.00	21.00	18.75	16.25	1.38	0.060	12-1.12	15.75
16.00	15.25	34.00	23.50	21.25	18.50	1.44	0.060	16-1.12	17.25

Remark: Larger sizes available upon request.



					MARKING SYSTEM	MSS-SP-25	INSPECTION & TEST: API 598	MATERIAL: A351-CF8M	UNITS: Inch, mm	
					DIM.OF FLANGE	ANSI B16.5	SHELL HYDRO 425PSI	CLASS: 150	DATE: 01/01/12	SCALE: N.T.S.
					FACE TO FACE	ANSI B16.10	SEAT AIR 80PSI	SIZE: 2" - 16"	FIG. No.: SPSL-6	
					WALL THICKNESS	ANSI B16.34	BACK SEAT HYDRO 325PSI	DRAWN BY: F.J.		
					DESIGNED	BS1868, ANSI B16.34	CHK'D & APR'D BY: R.P.	REV: 1	DWG No.: 11ESOV120012	
Δ	1/1/12	RELEASED	F.J.	R.P.	R.P.					

WILLIAM E. WILLIAMS VALVE CORPORATION  
 38-52 REVIEW AVENUE LONG ISLAND CITY, NY 11101  
 TEL: 718-392-1650 FAX: 718-729-5106  
 WWW.WILLIAMSVALVE.COM

TITLE: STAINLESS STEEL EMERGENCY SHUT-OFF VALVE WITH SPRING - CLASS 150 - API TRIM 10